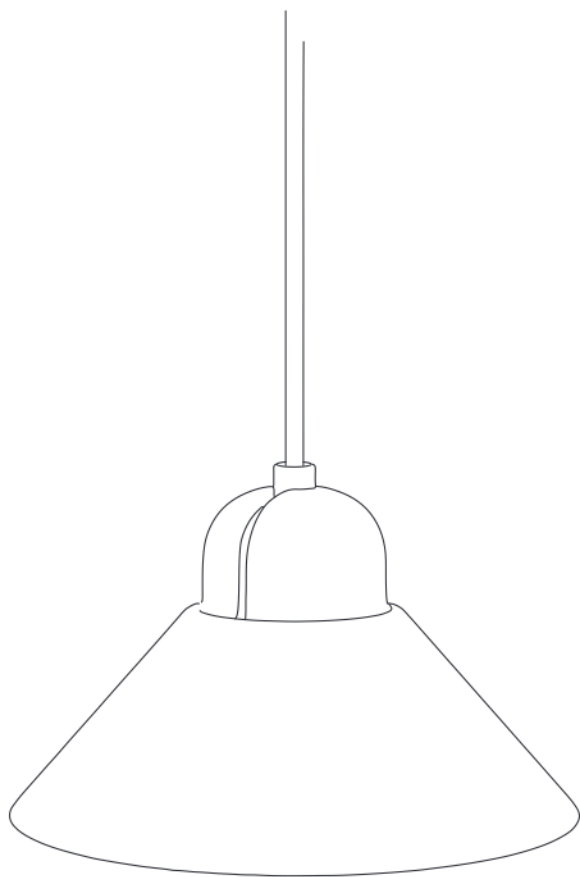


**Design House**  
*Stockholm*

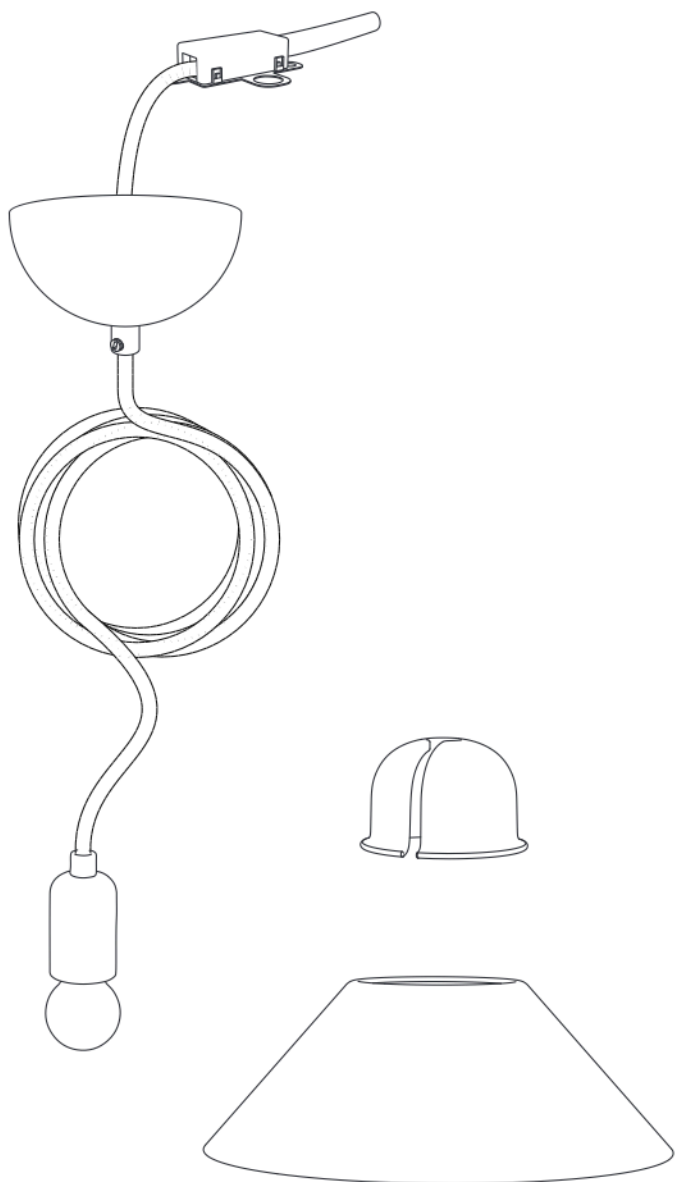


**Assembly Instructions**  
**Kalo Lamp (2749-0100)**  
**& (2749-1000)**

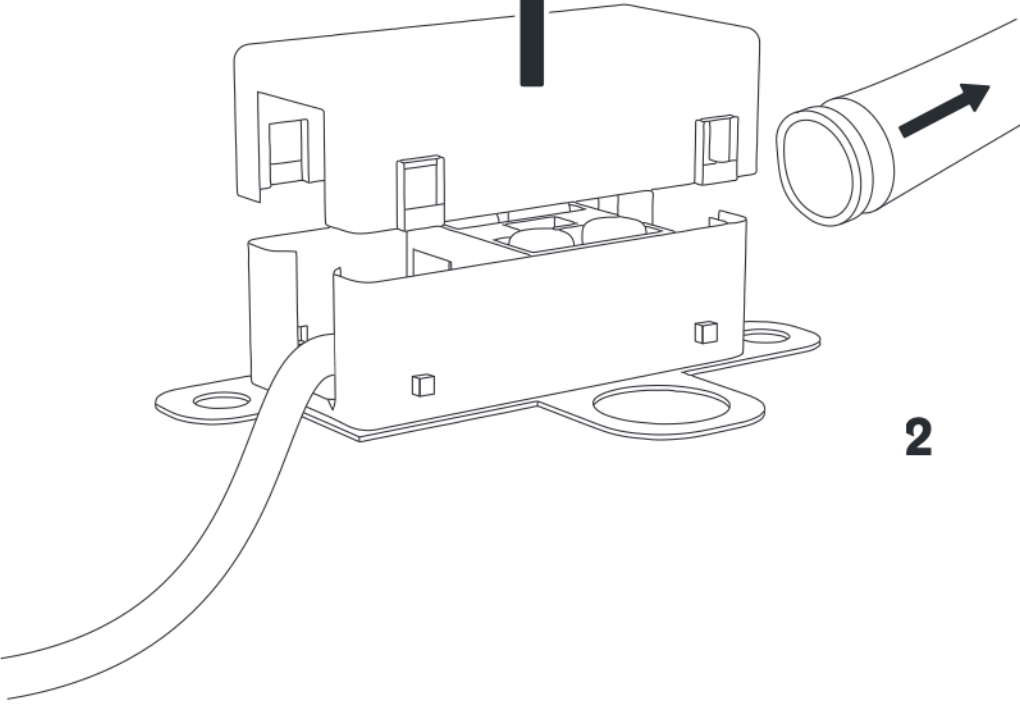
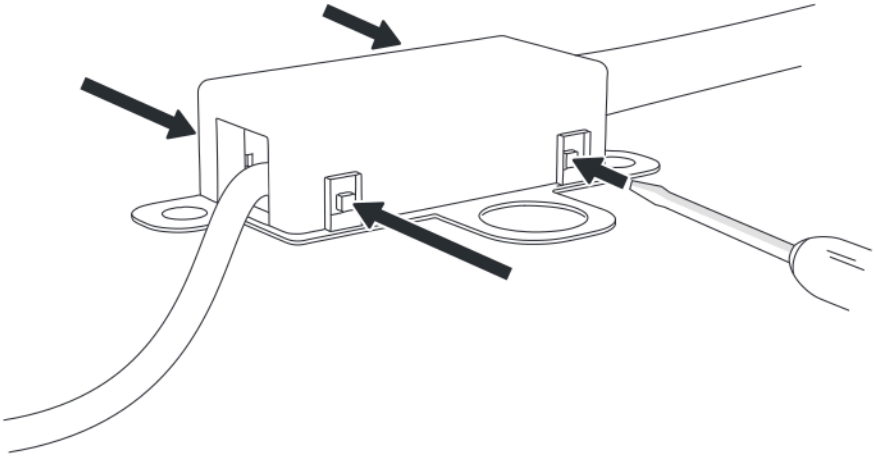
**WARNING** If the external flexible cable or cord of this luminaire is damaged, it shall be exclusively replaced by the manufacturer or his service agent or a similar qualified person in order to avoid a hazard.

**CARE** To avoid leaving marks on the glass, we recommend to use gloves or handle the glass without touching the inner sandblasted surface. We recommend the glass is cleaned with a clean cloth and non-abrasive cleaner, such as clean soapy water or a proprietary window cleaner. For glass with sandblasted surface, a stiff bristle or nylon brush can be used to remove dirt from the recesses in the surface. The glass is dishwasher safe.

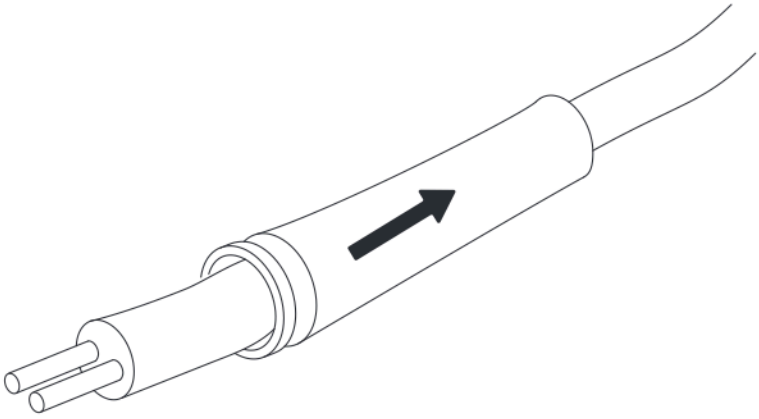
Components:



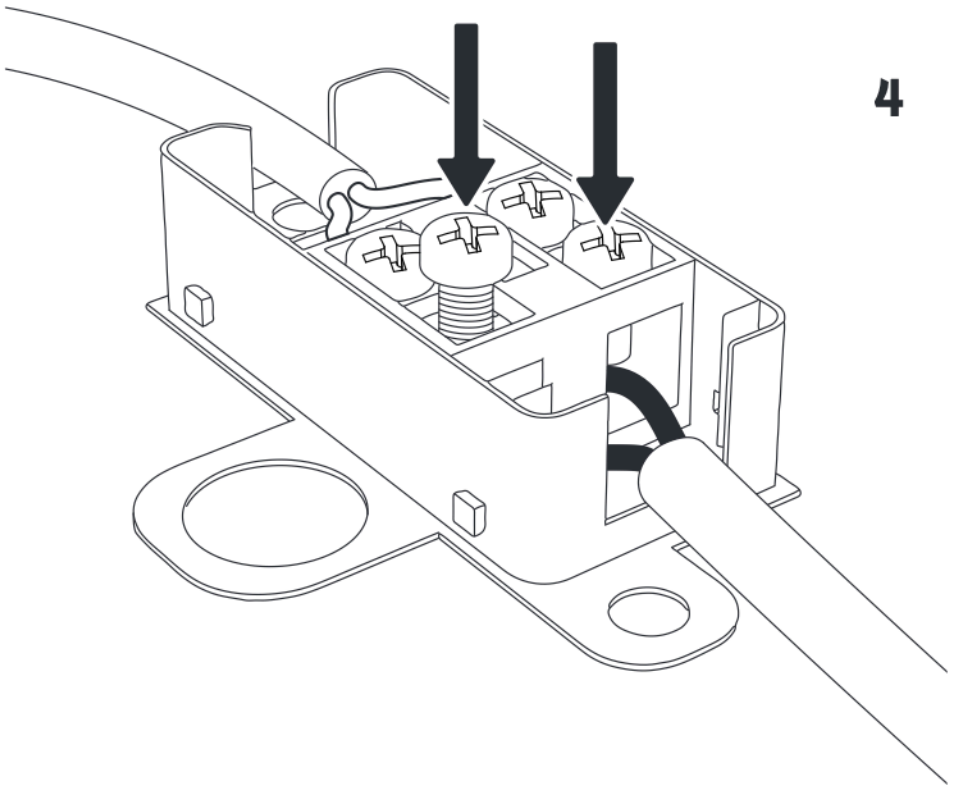
1



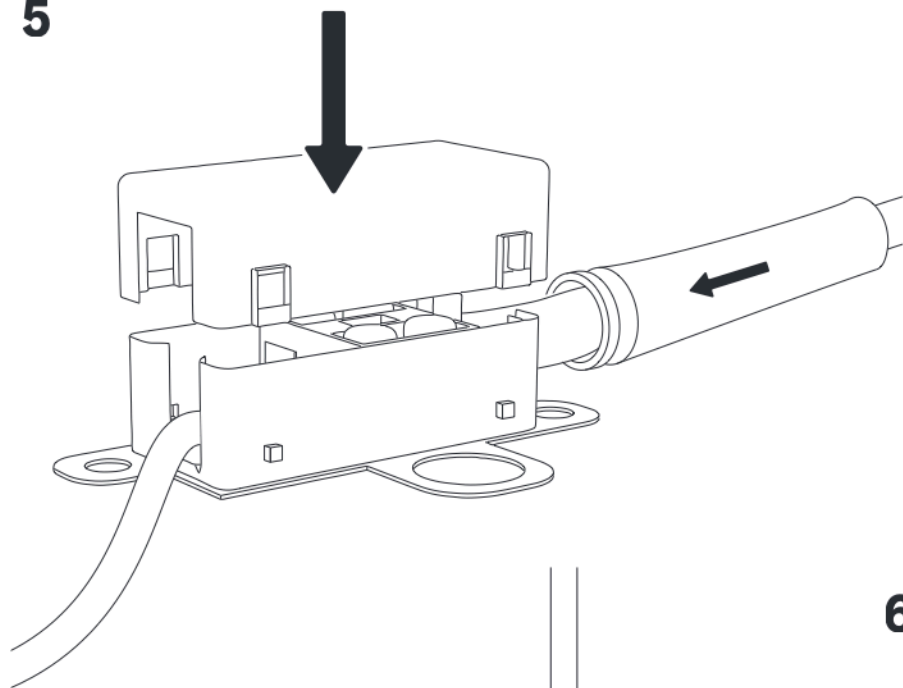
**3**



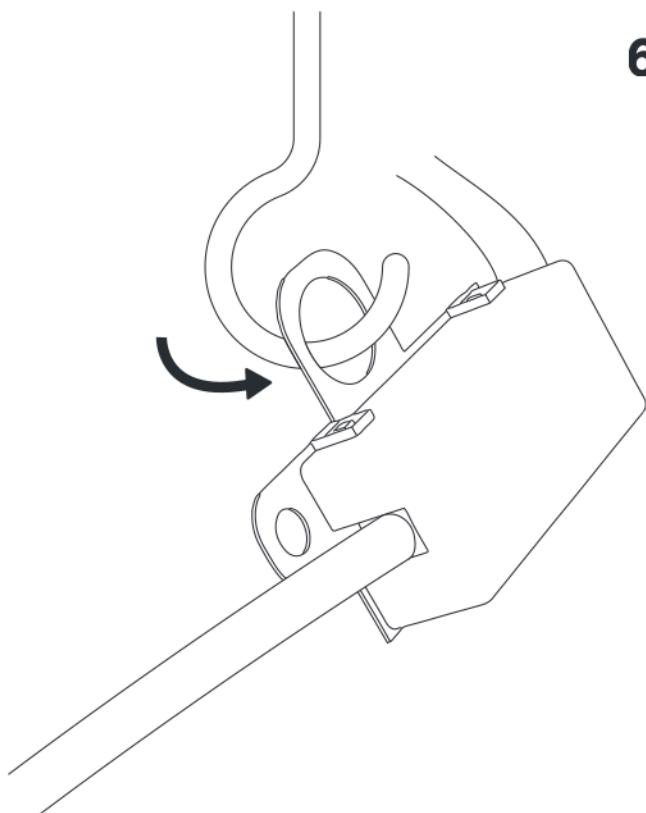
**4**



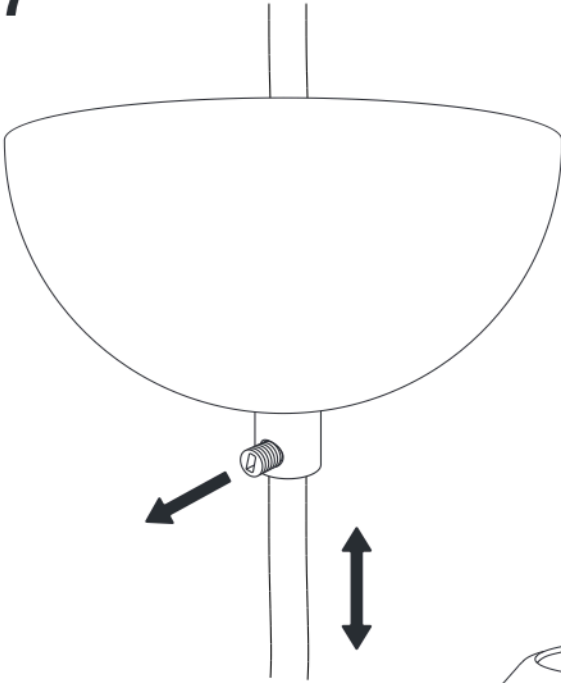
**5**



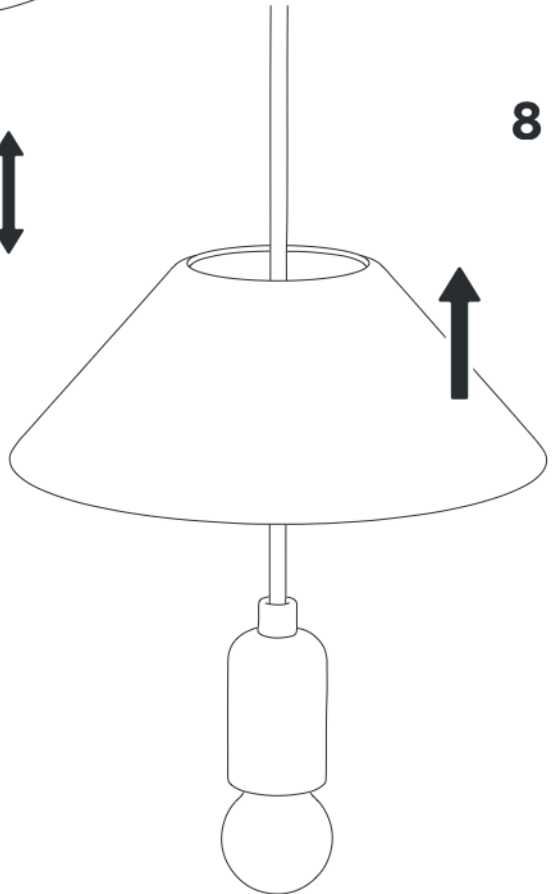
**6**



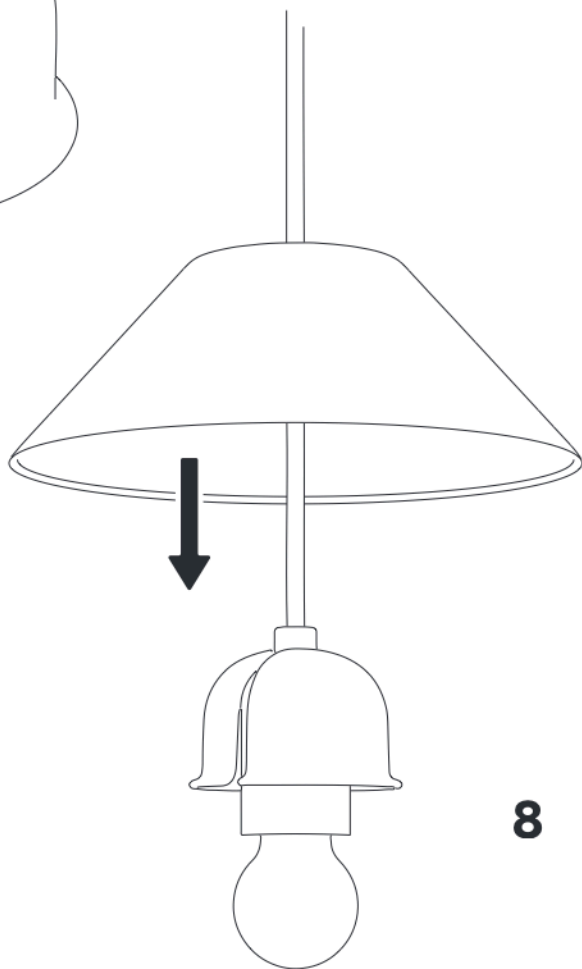
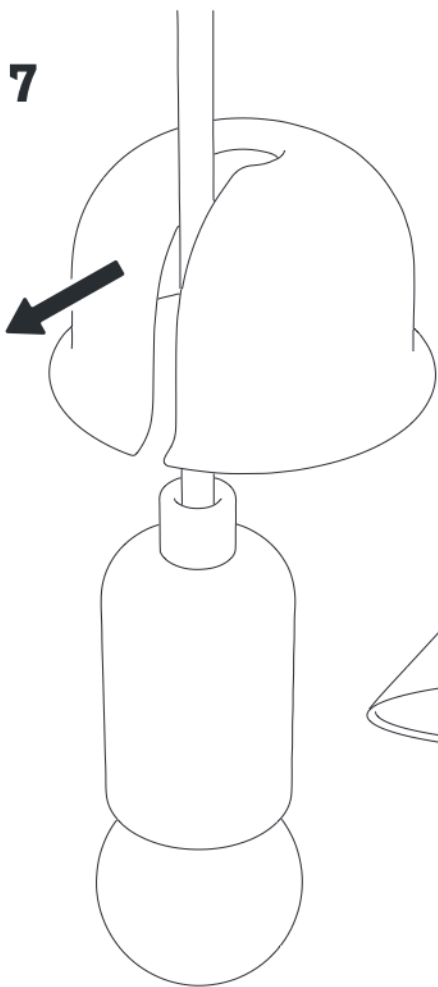
**7**



**8**



**7**



**8**