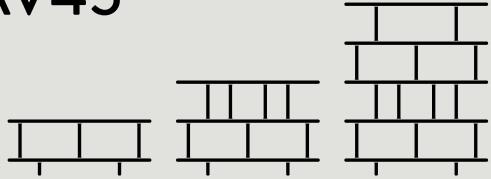


Instructions

Archivo AV43-AV45 Jaime Hayon 2024



Please read these instructions carefully and retain them for future reference to ensure the product is used correctly. For your own safety, please study each step of this instruction manual before attempting any installation. &Tradition is not responsible for any faults or damage caused by not following these instructions correctly. Do not modify this product in any way.

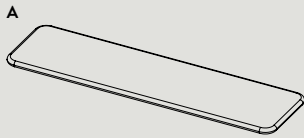
If you have any questions or comments, please do not hesitate to contact us via email on: info@andtradition.com

&Tradition[®]

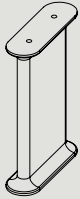
Archivo AV43-AV45

Jaime Hayon

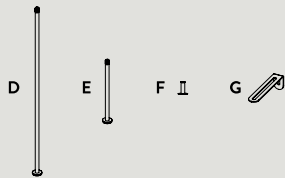
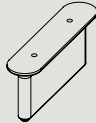
2024



B



C



Safety precautions

- WARNING! Furniture tipping over can lead to serious or fatal crushing injuries. The shelf must be mounted to the wall using both the mounts provided.
- Screws are included to attach the wall mounts to the shelf.
- Screws and plugs are not included to attach the wall mounts to the wall. Use suitable screws and plugs for your walls. Consult professional advice if in doubt.
- Ensure all components are securely attached.
- All assembly must be done on a soft underlay e.g. a carpet to avoid scratching the parts while assembling.
- Do not put a TV on this product.
- Place the heaviest items on the lowest shelves.
- Required to be 2 persons when assembling.
- Use provided Allen key for screws.
- Maximum shelf weight capacity: 10kg / 22lbs

Contents

A Shelf

B Column

C Foot

D Column screw

E Foot screw

F Screw for mounting bracket (G) to shelf (A)

G Wall mount

Tools needed

- Allen Key

Cleaning instructions

It is recommended only to use a soft, dry cloth to clean lacquered surfaces. In case more severe cleaning is necessary, a soft cloth wrung in lukewarm water and a mild cleaning detergent can be carefully applied. Always dry immediately after cleaning with a soft, dry cloth. Avoid using abrasive cleaning agents or harsh cleaning tools that may damage the surface.

Please follow steps 1 to 5 to assemble the product.

Step 1 / 5

2-Tier:

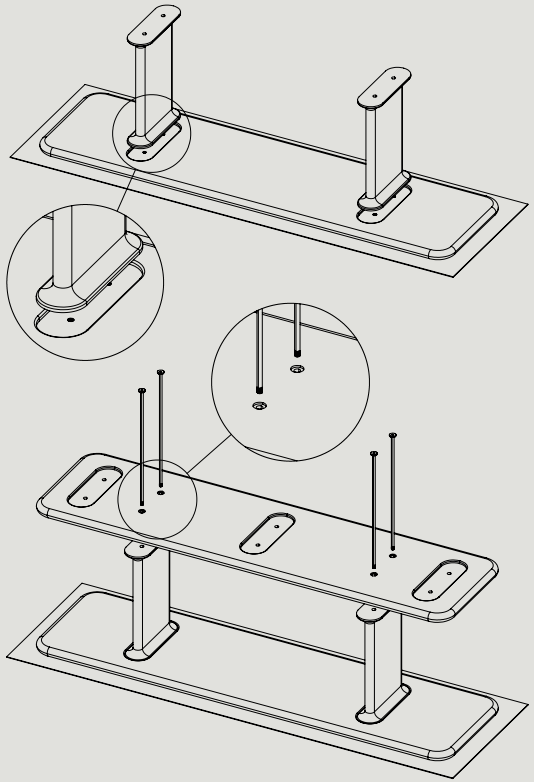
Place shelf (A) on top of the box the product came in to avoid damaging the surface. Begin by fitting 3 x columns (B) into the holes.

3-Tier:

Place shelf (A) on top of the box the product came in to avoid damaging the surface. Start with fitting 4 x columns (B) into the holes.

5-Tier:

Place shelf (A) on top of the box the product came in to avoid damaging the surface. Start with fitting 2 x column (B) in the holes.



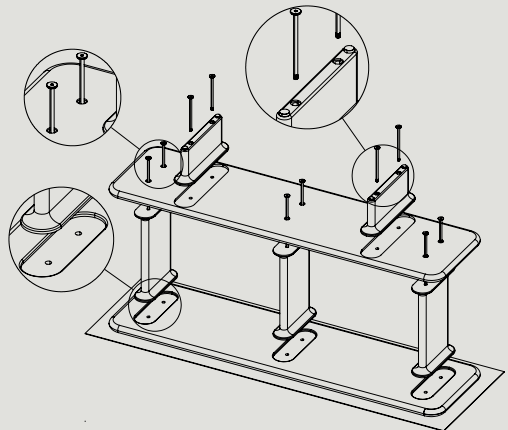
Step 2 / 5

2-Tier:

Repeat the steps by placing shelves (A), columns (B) and screws (D) as per the illustration.

On the last tier, place the feet (C) in the holes and mount with screw (E).

Make sure the screws are tightened.

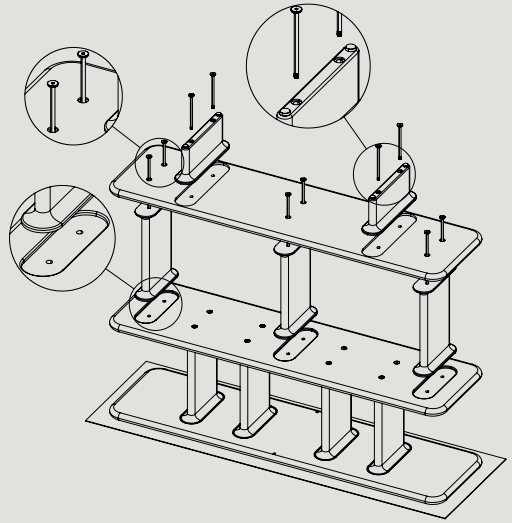


3-Tier:

Repeat the steps by placing shelves (A), columns (B) and screws (D) as per the illustration.

On the last tier, place the feet (C) in the holes and mount with screw (E)

Make sure the screws are tightened.

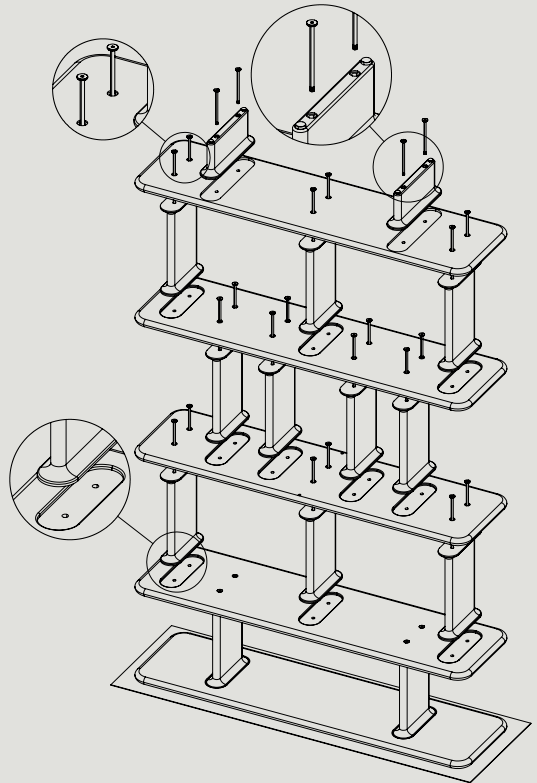


5-Tier:

Repeat the steps by placing shelves (A), columns (B) and screws (D) as per the illustration.

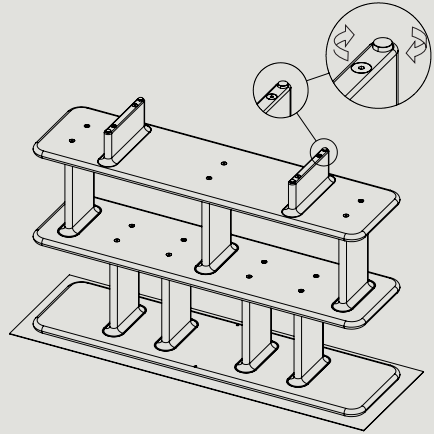
On the last tier, place the feet (C) in the holes and mount with screw (E)

Make sure the screws are tightened.



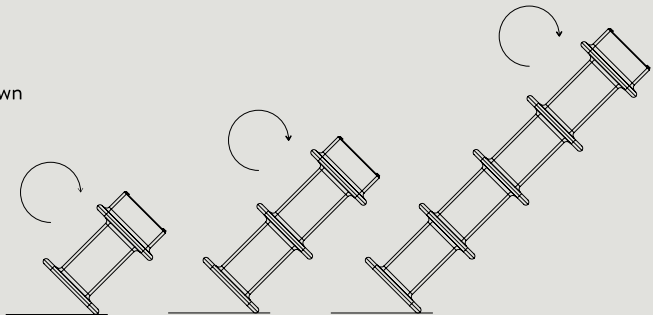
Step 3 / 5

The adjustable gliders are pre-mounted. Adjust them by screwing the gliders in/out to stabilise the shelf for uneven ground surfaces.



Step 4 / 5

Flip the shelf over carefully and adjust the gliders as shown in step 3.



Step 5 / 5

Important! Final step, mount the 2x wall mounts (G) on the top shelf using screw (F). Screw and plug are not included for the wall. Use suitable screw and plug for your walls. Consult professional advice if in doubt.

To disassemble, reverse the steps in this assembly manual.

