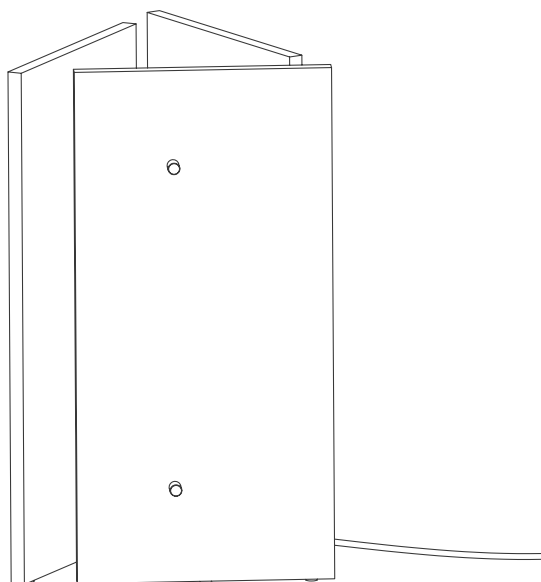


# Oeste Table Lamp

Assembly manual



FERM  
LIVING

## General Instructions

Please read before installation

### Warning:

The safety of this product can only be guaranteed if the following instructions are observed during both installation and use (For indoor use only). Please retain these instructions safely after installation.

If the external flexible cable or cord of this luminaire is damaged, it shall be exclusively replaced by the manufacturer or his service agent or a similar qualified person in order to avoid a hazard.

### Please observe the following guidelines:

- Ensure that the power supply has been switched off prior to installation or removal of the product.
- Never undertake an electrical installation without the proper knowledge or training. If not familiar with electrical wiring, contact a qualified electrician.
- The product may in no way be modified or tampered with. Any modification may compromise safety and make the product itself dangerous to use. Ferm Living does not accept any responsibility for products that have been modified.
- The light source contained in this luminaire shall only be replaced by the manufacturer or his service agent or a similar qualified person.

### Cleaning instructions:

- Use only a soft cloth to clean the product. Dampen the cloth with water and soap or a mild cleanser if needed.

### More information:

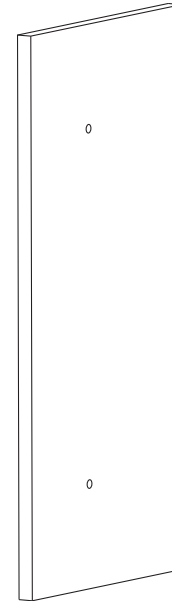
To access further information such as product overview and material descriptions, please visit our website at [www.fermliving.com](http://www.fermliving.com). If you have any questions or comments, please do not hesitate to contact us at [info@fermliving.com](mailto:info@fermliving.com).

## Technical Specifications

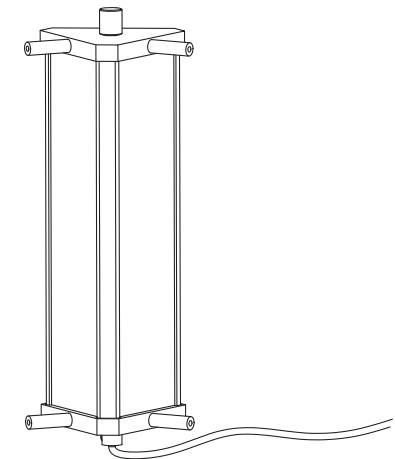
Oeste Table Lamp

Light source:	24V DC 50/60Hz,
Wattage:	14W
Dimmable:	Yes, 10-100%
Certification:	CE, CB, EMC, RoHs
Classification:	Class III, IP20
Lightsources:	Replaceable LED light source,. Average Lifespan 50.000 hrs.
Light specification:	2700K, 140 Lumen, CRI >90
Voltage:	LED Driver: 100-240V 50/60 Hz, class II, IP20.

# Box Content



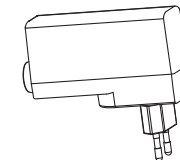
(3 x)



(1 x)

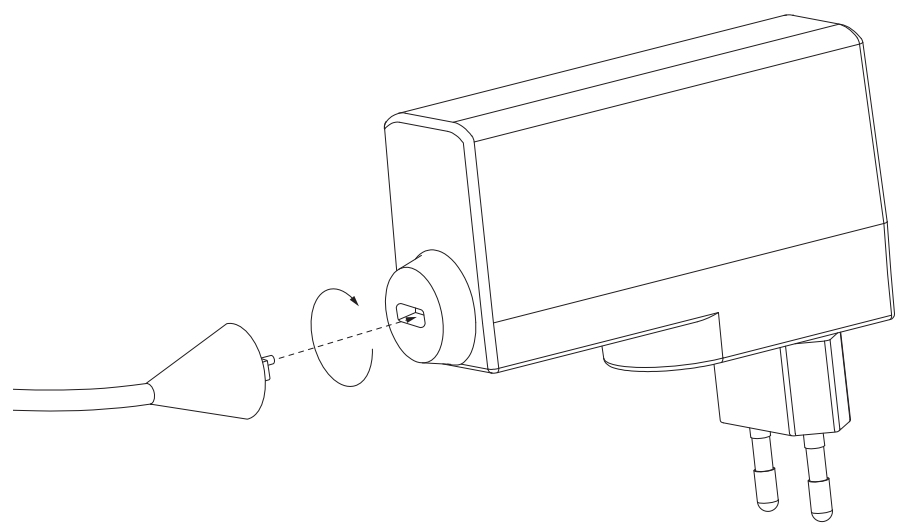


(6 x)

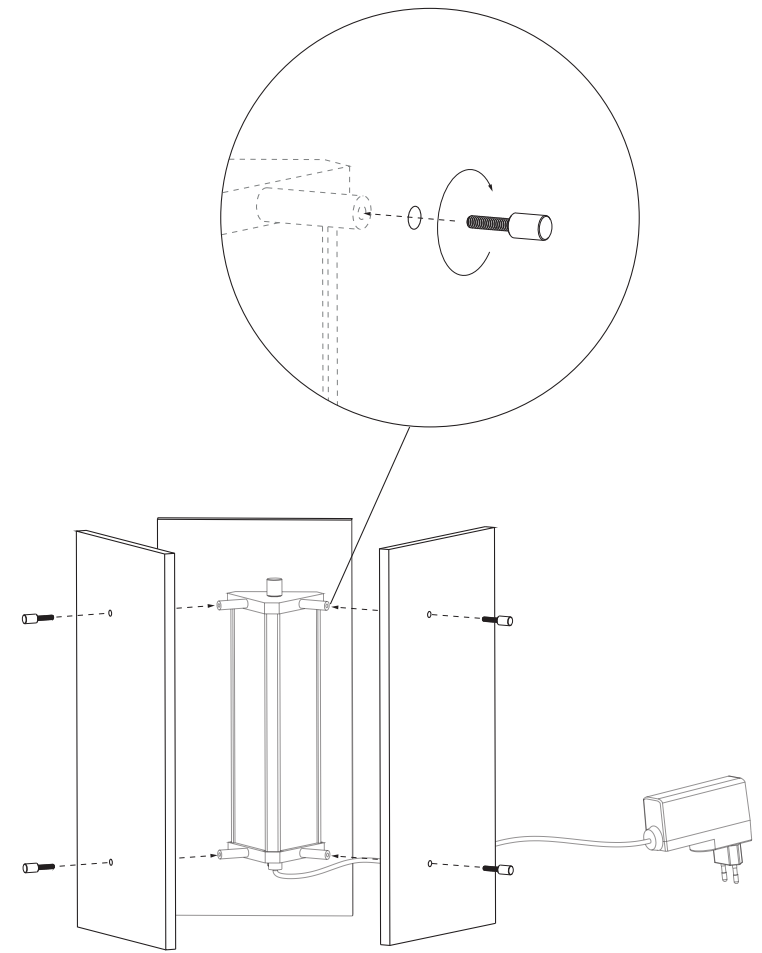


(1 x)

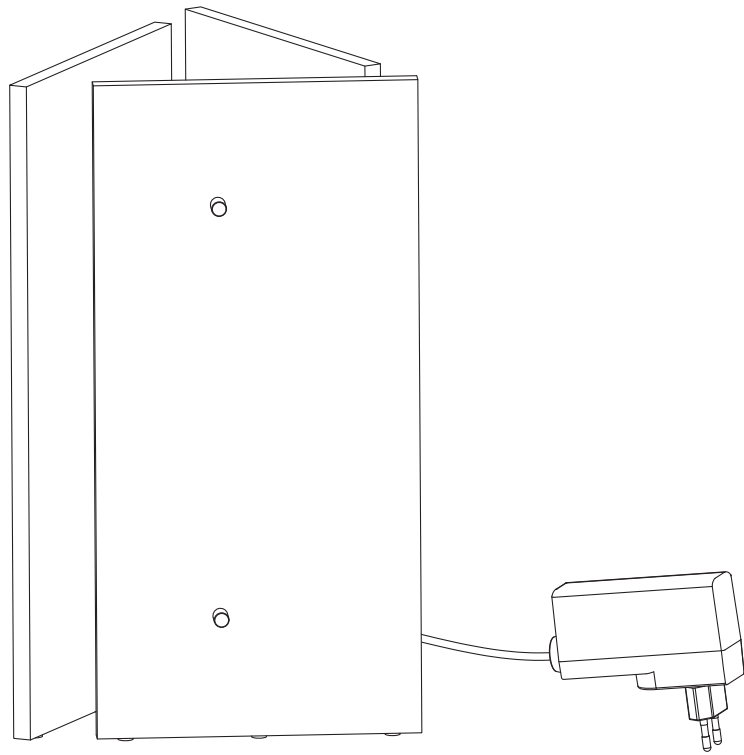
# 01



# 02



# 03



Space to feel comfortably you