

Carmel Bistro Dining Table - 75x75

Designed by OEO - 2024



ITEM NUMBER

Carmel Bistro Dining Table , 75x75 (Top: Rock Red)	10137220
Carmel Bistro Dining Table , 75x75 (Top: Clam White)	10137221

DESCRIPTION

GUBI's new Carmel Bistro Tables from OEO Studio blend the Californian-inspired vibrancy of their coffee tables with the timeless elegance of European café culture. Designed for both indoor and outdoor use, the durable and resilient tables are perfect for both casual gatherings and formal occasions. Like the Carmel Coffee Tables, each features a 75x75 cm tabletop in glazed Italian stoneware, supported by a tree-like assembly of four semi-matt black stainless steel legs. Available in two heights: lounge and dining; and two colorways: Red Rock and Clam White, Carmel Bistro Tables bring a sophisticated café charm to every setting.

Materials & Finishes

TABLE TOP FINISH

Rock Red, Clam White



BASE FINISH

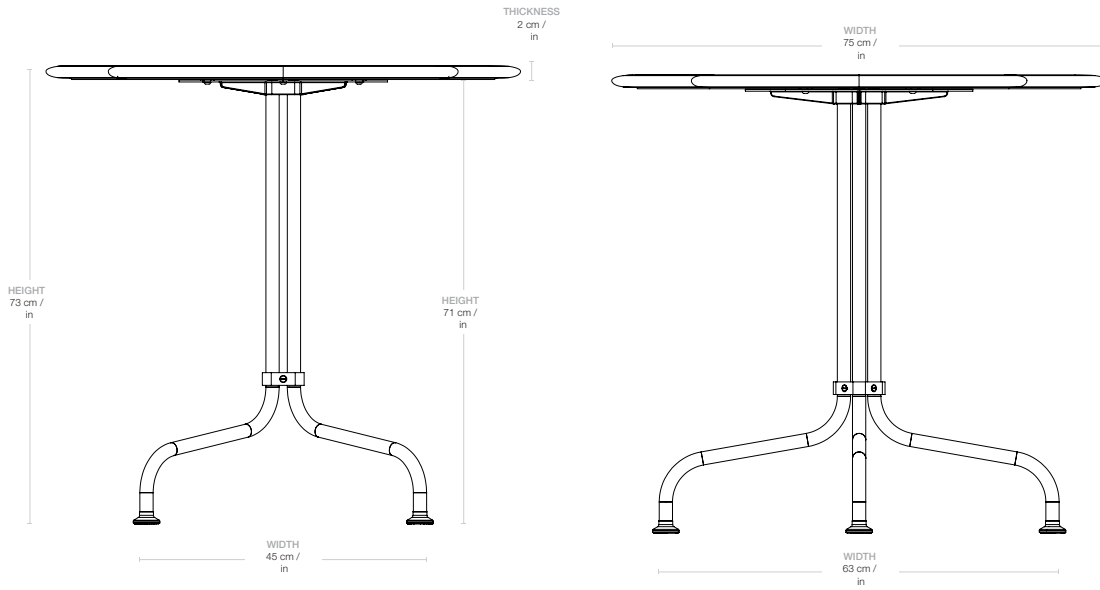
Textured Black Semi Matt



MATERIALS

Stainless Steel, Ceramics, Rubber

Dimensions



WIDTH	75 cm / 29.5 in
LENGTH	75 cm / 29.5 in
HEIGHT	73 cm / 11.8 in
TABLE TOP THICKNESS	2 cm / 0.78 in
DIAMETER OF COLUMN/LEG	2 cm / 0.78 in

Weight

TOTAL PRODUCT WEIGHT	21 kg / 46.3 lbs
TABLE TOP WEIGHT	14 kg / 30.8 lbs
BASE WEIGHT	7 kg / 15.5 lbs

Number of parcels	2
PACKAGING 'NAME'	BASE
PACKAGING LENGTH	81,5 cm / 32 in
PACKAGING WIDTH	62,5 cm / 24.6 in
PACKAGING HEIGHT	9 cm / 3.5 in
PACKAGING WEIGHT	3,5 kg / 7.7 lbs
GROSS WEIGHT	10,5 kg / 23.2 lbs

PACKAGING 'NAME'	TABLETOP
PACKAGING LENGTH	83 cm / 32.7 in
PACKAGING WIDTH	83 cm / 32.7 in
PACKAGING HEIGHT	15 cm / 5.9 in
PACKAGING WEIGHT	9 kg / 19.8 lbs
GROSS WEIGHT	23 kg / 50.7 lbs

Test & Certifications

SALT SPRAY TEST NSS UNI EN ISO 9227:2017

SUSTAINABILITY Carmel Coffee table base is shipped flat packed in a plastic-free cardboard packaging.

Glides

HYBRID TOUGH RUBBER GLIDES

Attached as standard

KEY FEATURES The table comes flatpacked and is a hybrid, which makes it usable both indoors and outdoors without.
