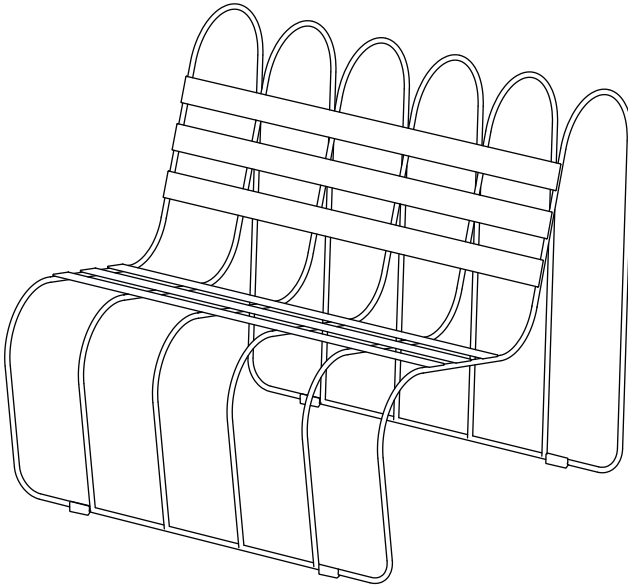
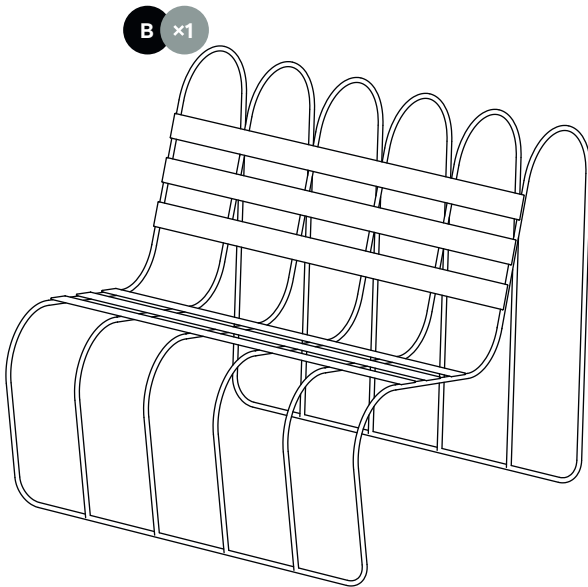
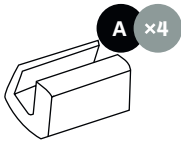


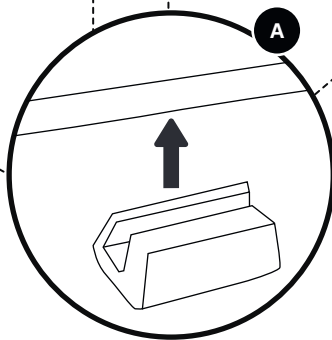
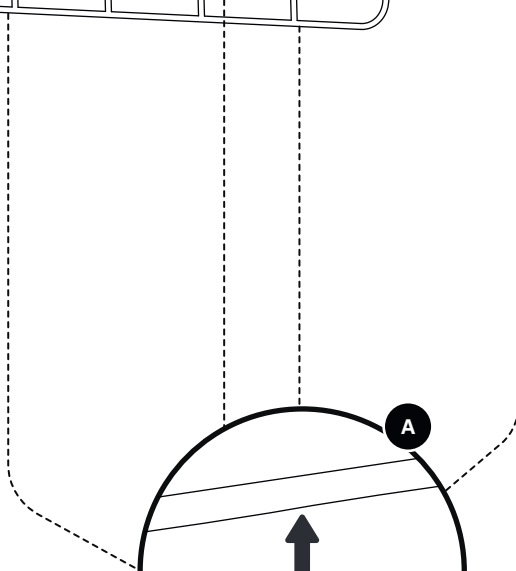
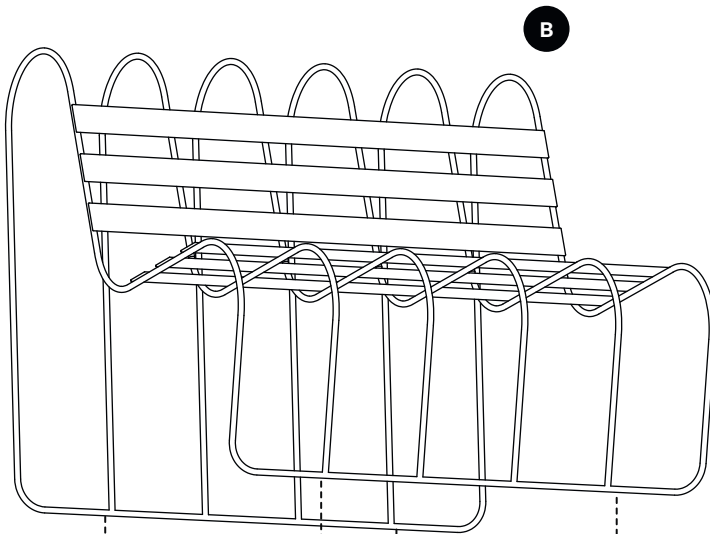
**Design House**  
*Stockholm*



**Assembly Instructions**  
**Gardener's Sofa (2868-6000).**

Components:





designhousetockholm.com  
@designhousetockholm