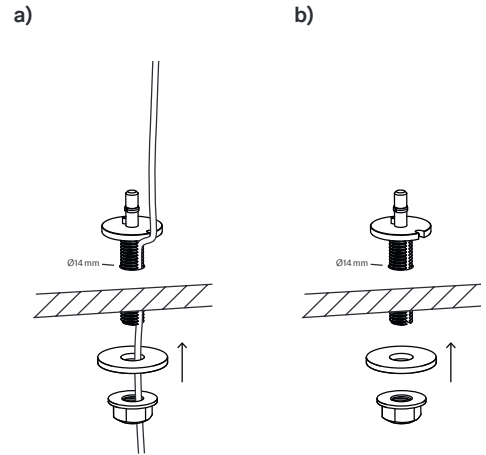
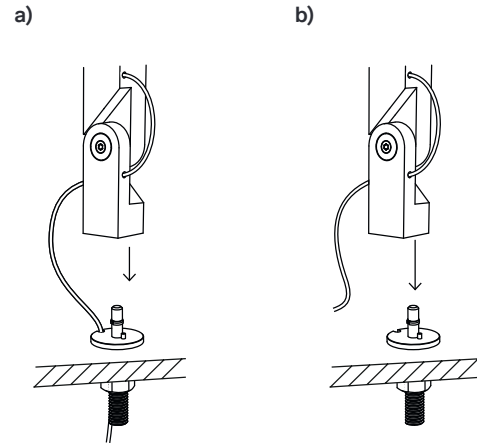


w227 Winkel alu Instructions

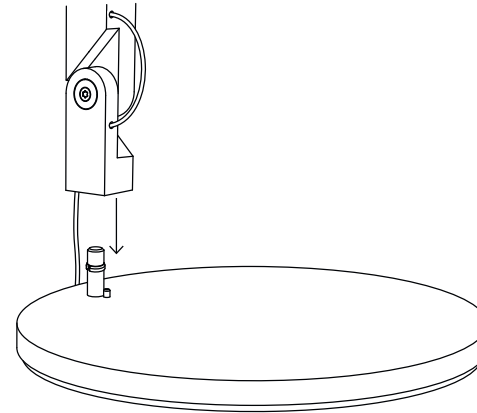
1.



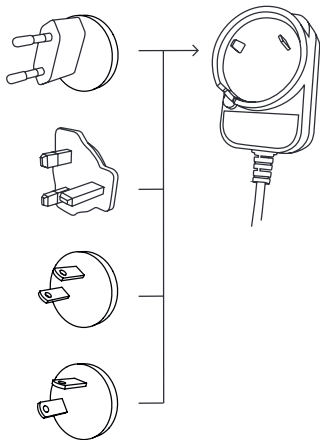
2.



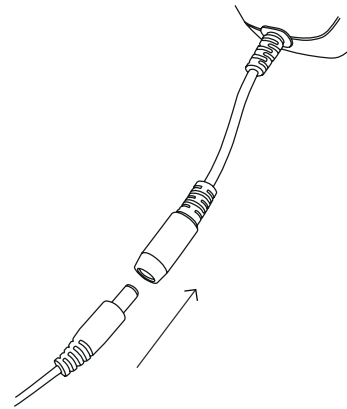
3.



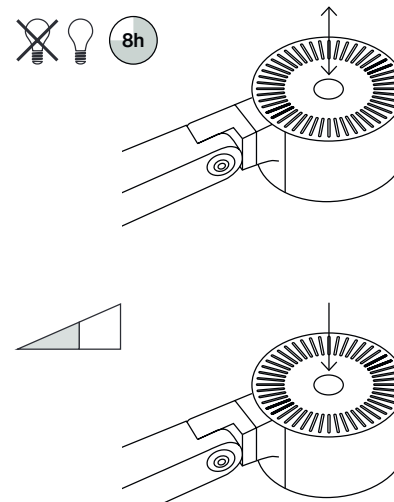
4.



5.



6.



Mounting instructions

1. Pin

a) Cord through the table top: Place the cord in the slot inside the pin. Place the pin through a $\varnothing 14$ mm hole with one disc above and one under the table. Secure with washer and nut under the table.

b) Cord above the table top: Place the pin through a $\varnothing 14$ mm hole. Secure it with the washer and nut under the table.

2.

Attach the lamp.

3. Base

Attach the lamp to the base.

6.

Connect the power cables.

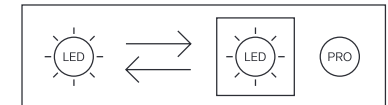
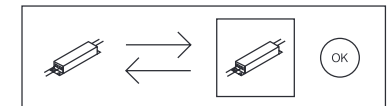
5.

Connect the power cables.

6.

Press to turn the light on and off. The lamp has an 8 hours timer.

Press and hold to dim the light.



This product contains a light source of energy efficiency class F.

To replace the light source, contact customer service at service@wastberg.com