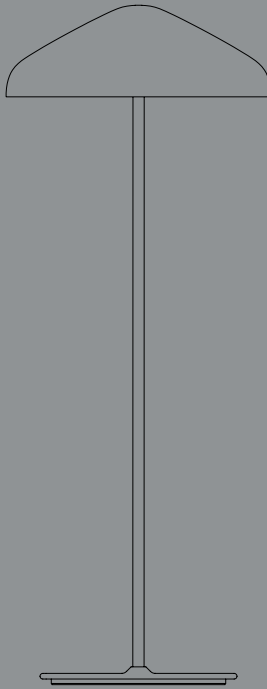


- INSTRUCTION MANUAL -

PAO GLASS FLOOR LAMP



DESIGN BY NAOTO FUKASAWA

HAY

TECHNICAL DATA

This product is supplied with an integrated LED light source. The expected lifespan of the LED light source is 25,000 hours, which equates to 8-10 years of general use. When the light source reaches its end of life, the whole luminaire should be replaced.

FITTING TYPE | Integrated LED

POWER (W) | 10 W

COLOUR TEMPERATURE | 2600K warm white

ATTENTION

Ensure that the power supply to the circuit has clearly been turned OFF before installing the product. In some countries, electrical installation must be carried out by authorised electricians/contractors; please check with your local authority for guidance.

The product must not be modified in any way. HAY accepts no responsibility for any products that have been modified or tampered with. The external flexible cable or cord of this luminaire cannot be replaced. If the cord is damaged, the luminaire should be replaced. This lamp is designed for indoor use only.

NOTE | This equipment has been tested and found to comply with the limits for a Class B digital device, pursuant to part 15 of the FCC Rules. These limits are designed to provide reasonable protection against harmful interference in a residential installation. This equipment generates, uses and can radiate radio frequency energy and, if not installed and used in accordance with the instructions, may cause harmful interference to radio communications. However, there is no guarantee that interference will not occur in a particular installation. If this

equipment does cause harmful interference to radio or television reception, which can be determined by turning the equipment off and on, the user is encouraged to try to correct the interference by one or more of the following measures:

- Reorient or relocate the receiving antenna.
- Increase the distance between the equipment and receiver.
- Connect the equipment to an outlet on a different circuit to the one the receiver is connected to.
- Consult the dealer or an experienced radio/TV technician for help.

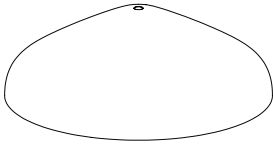
CAUTION | Changes or modifications to this unit not expressly approved by the party responsible for compliance could void the user's authority to operate the equipment.

CARE AND MAINTENANCE

The product can be cleaned with a soft damp cloth and mild detergent, or a dry microfibre cloth. Do not use alcohol or any other solvents to clean the product and avoid using abrasive or rough sponges. Ensure that the power supply has been turned OFF before cleaning the product.



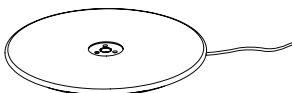
- PARTS -



Shade



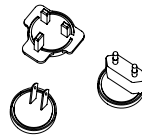
Stem



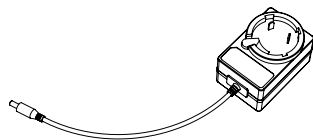
Base



Allen key



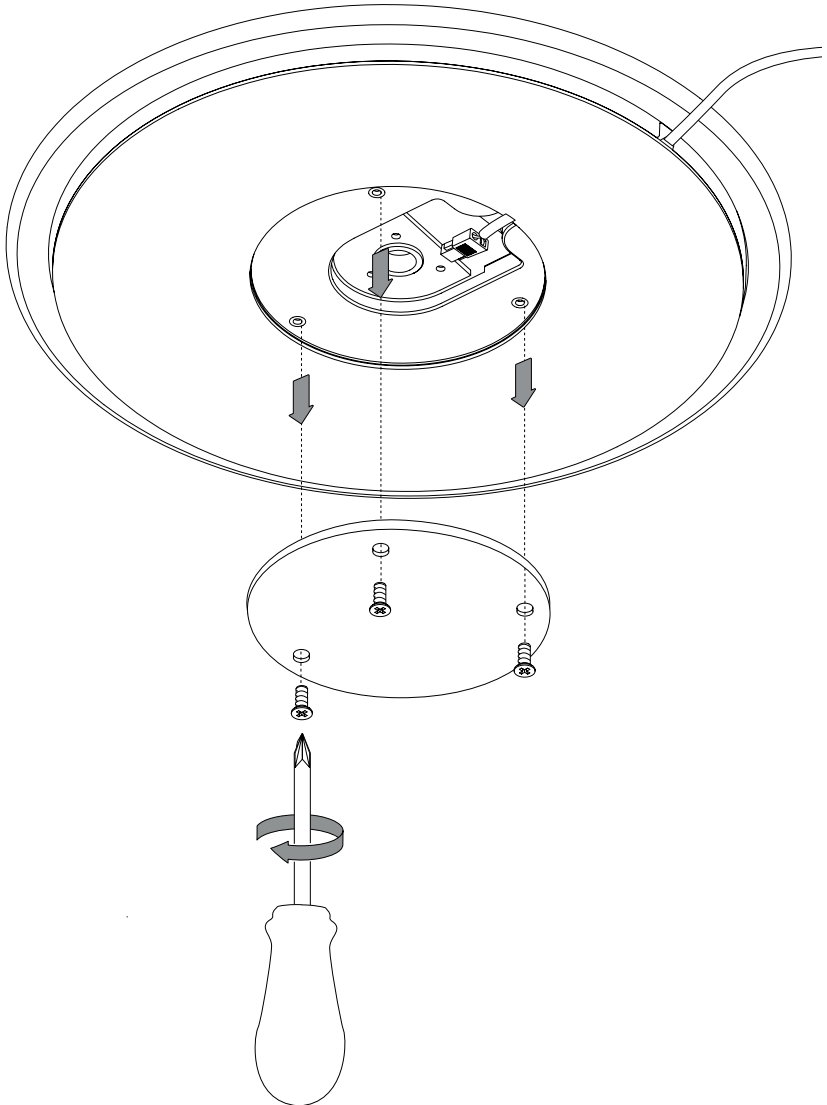
Adapter



Power supply

1.

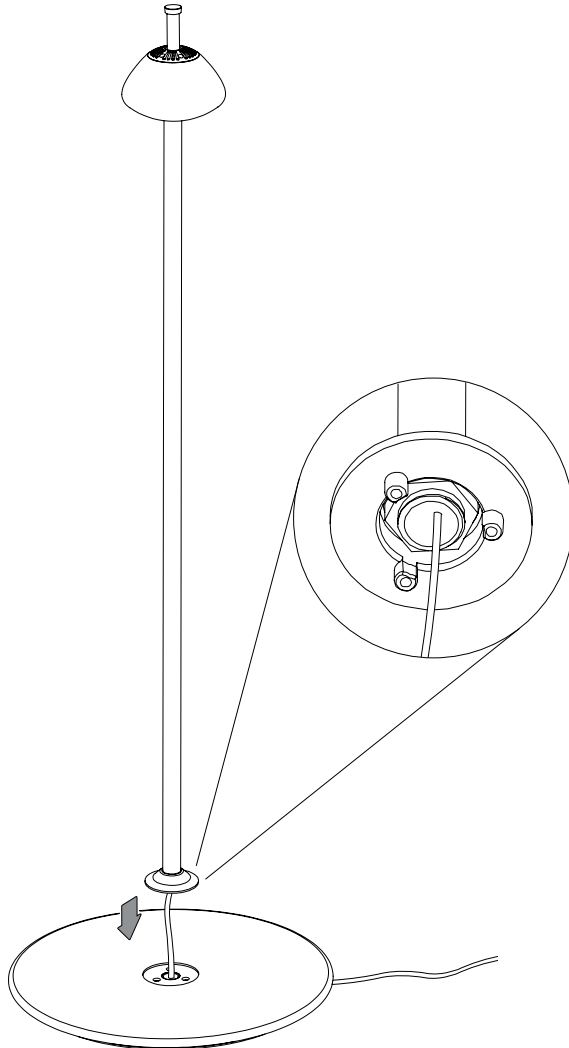
Unpack all the parts and check that you have received all the parts listed. It is important to take extra care when assembling the Pao Floor Lamp. Follow the instructions carefully and only assemble the lamp on a flat, stable surface, where it is not in danger of falling over. When moving the lamp, make sure you always lift it by the base, not the shade. Begin by removing the bottom plate from underneath the base.



2.

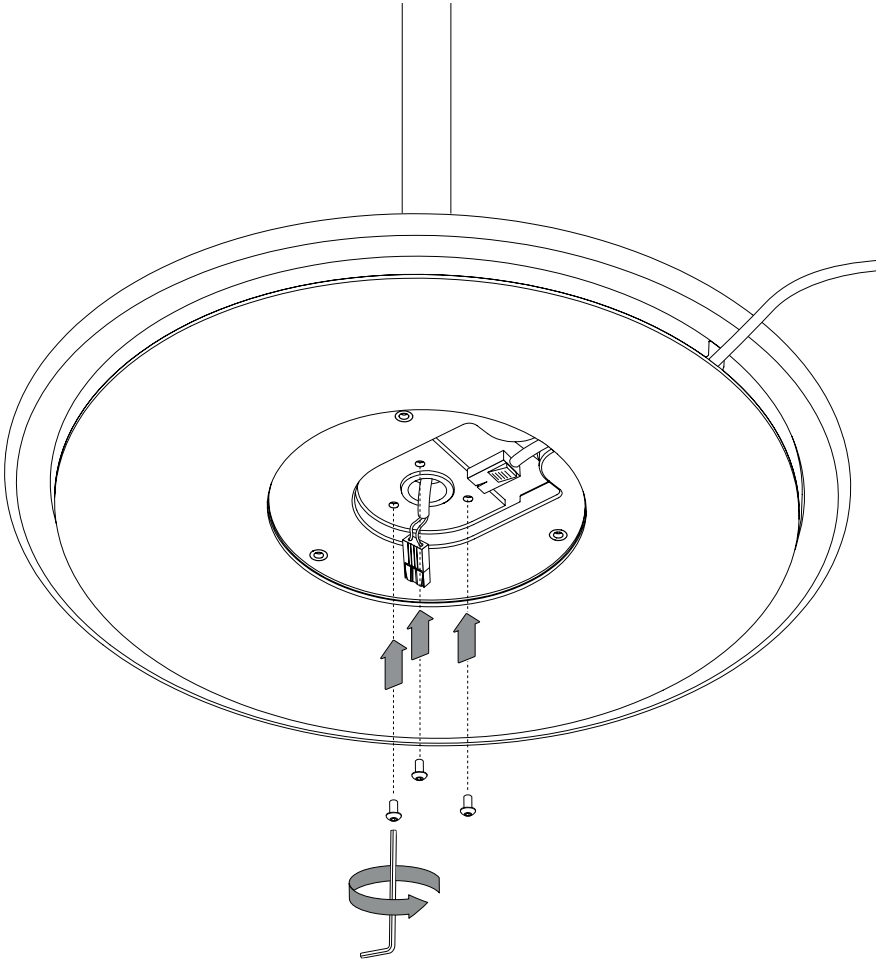
Thread the cable from the lamp stem through the hole in the centre of the base. Place the stem on the base, taking care to align the three guides underneath the stem with the corresponding holes on the base.

Note: It is advised that two people perform this step, to support the stem during assembly.



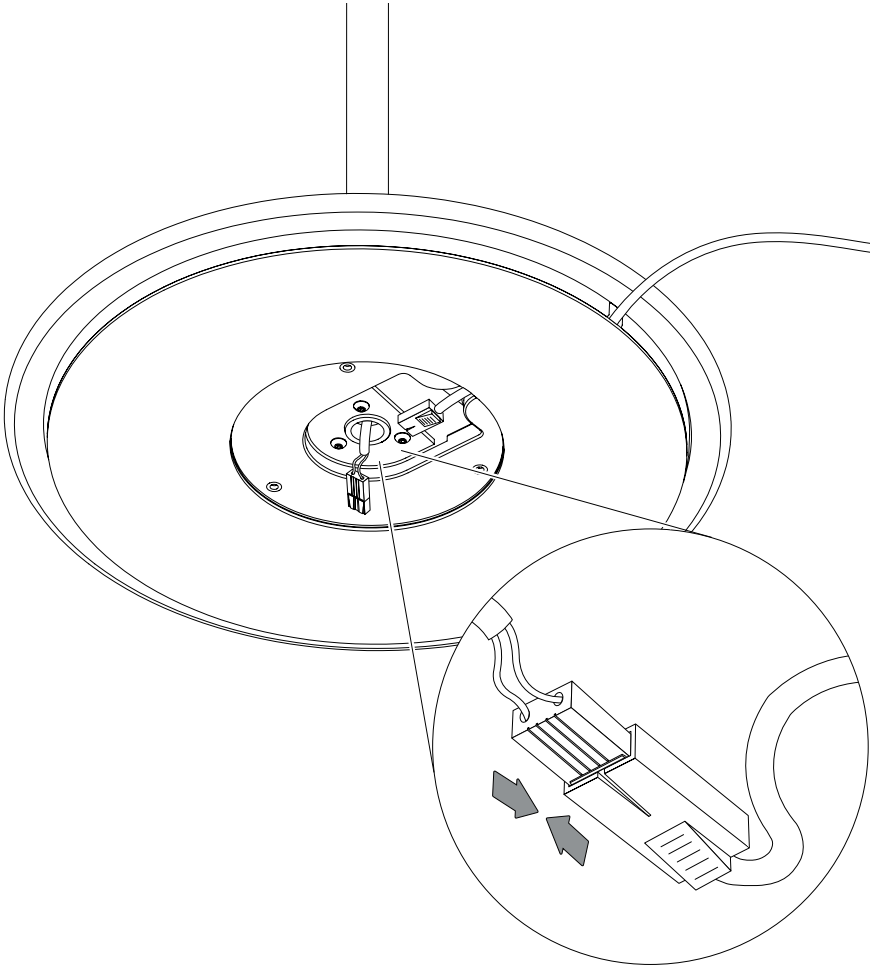
3.

Making sure to support the lamp stem, turn the lamp on its side and fasten the lamp stem to the base with the three included screws, using the Allen key. Make sure to tighten it properly, to prevent the lamp stem and shade from rattling.



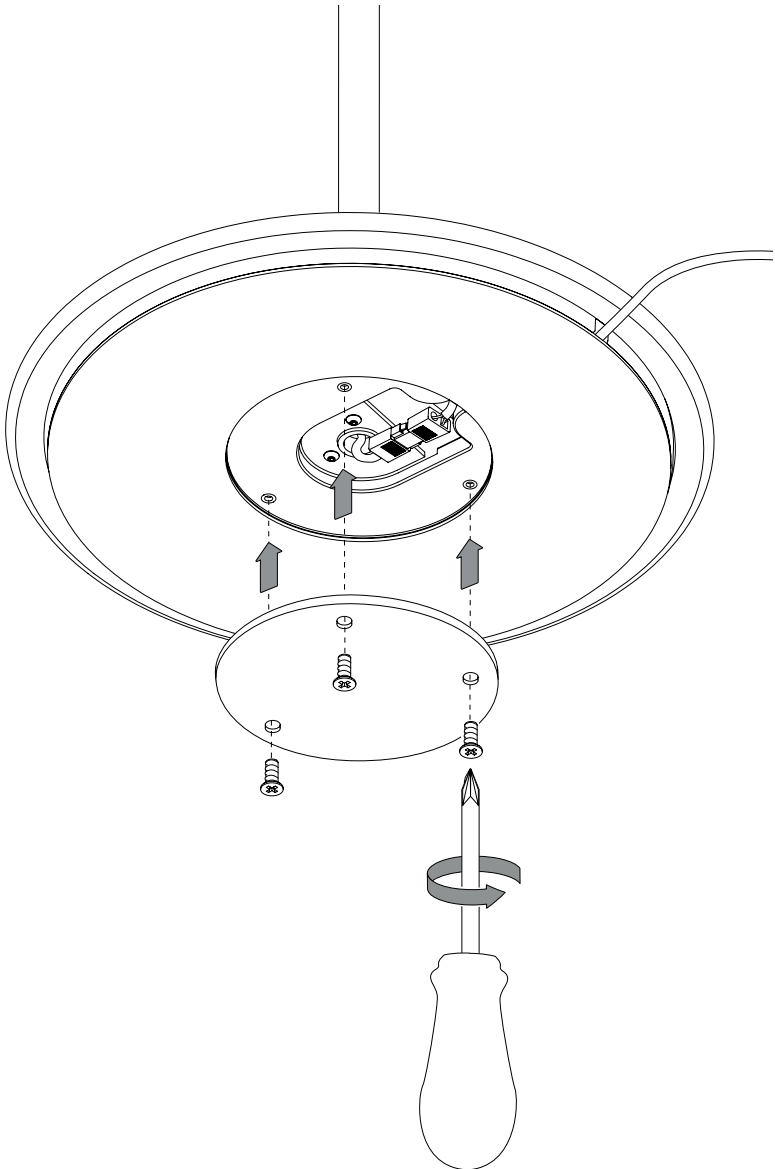
4.

Connect the cable connector from the lamp stem to the connector underneath the base. Make sure they are properly connected before moving on to the next step.



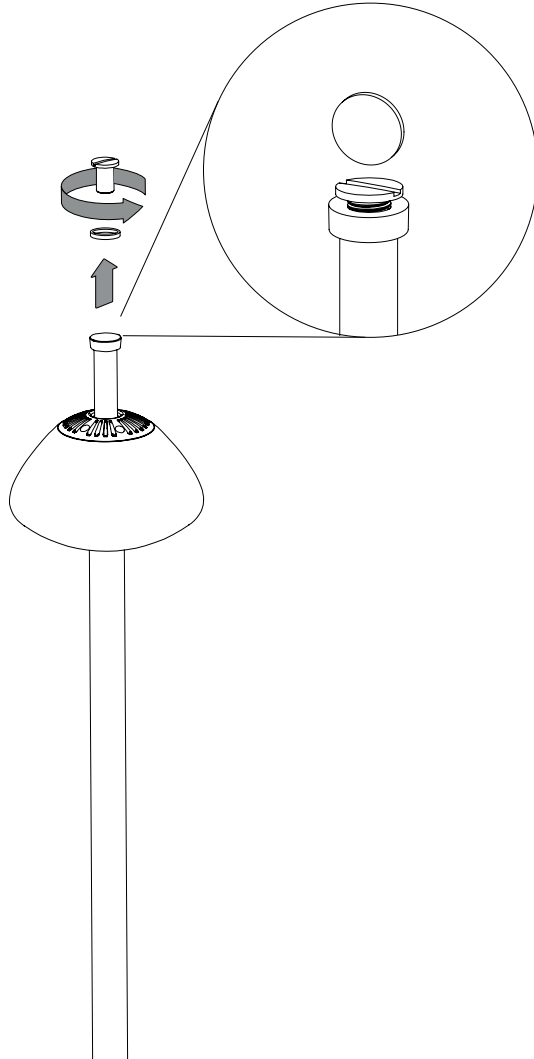
5.

Once the stem has been properly fastened and the cables connected and secured, the bottom plate can be mounted underneath the base again and fastened with the three screws.



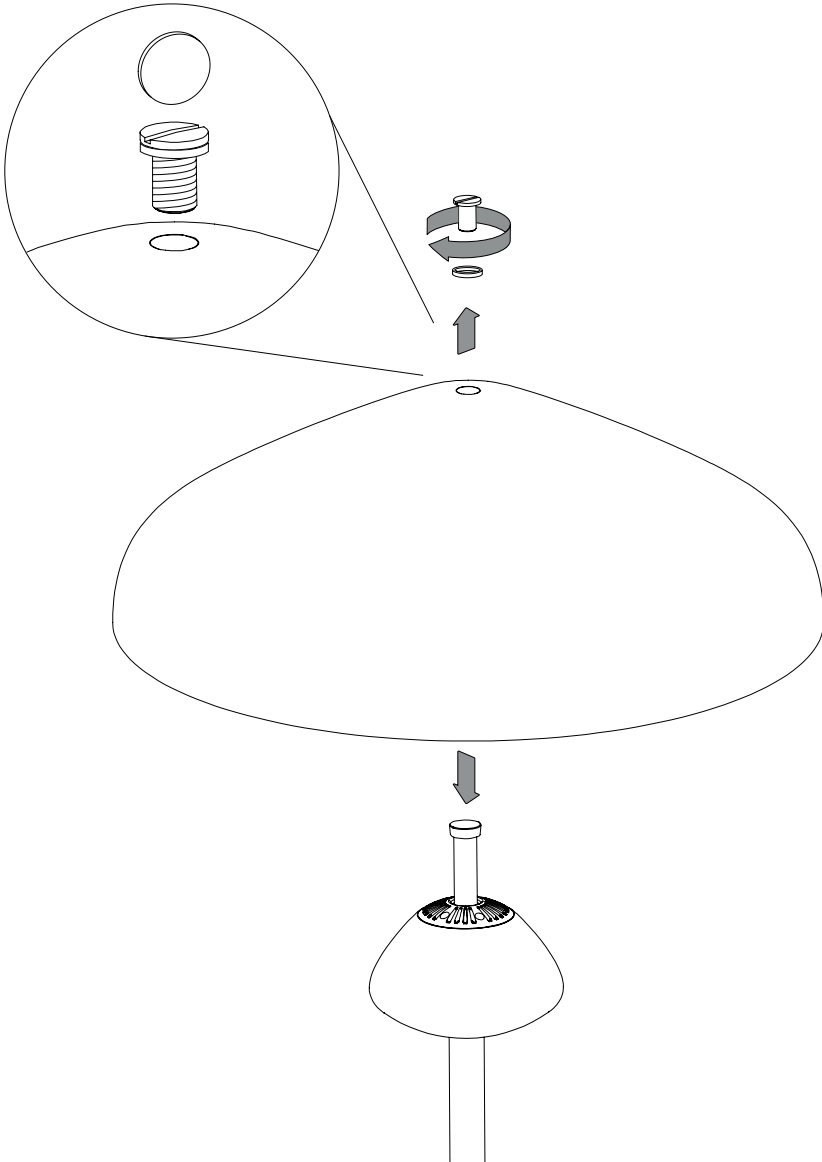
6.

Unscrew the top screw from the light engine as pictured.



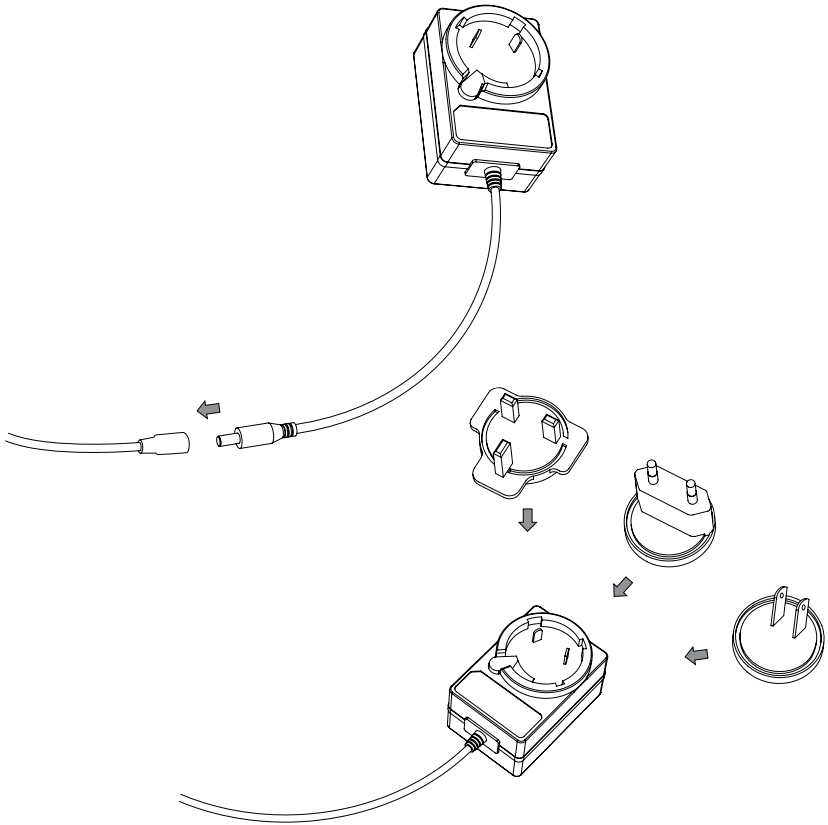
7.

Carefully place the shade on top of the rubber protective sleeve and centre it. Once the shade is in place, screw on the top screw with the rubber washer to fasten the shade to the stem. Make sure the screw has been fastened securely, but be careful not to overtighten it, as it may cause the lamp shade to crack.



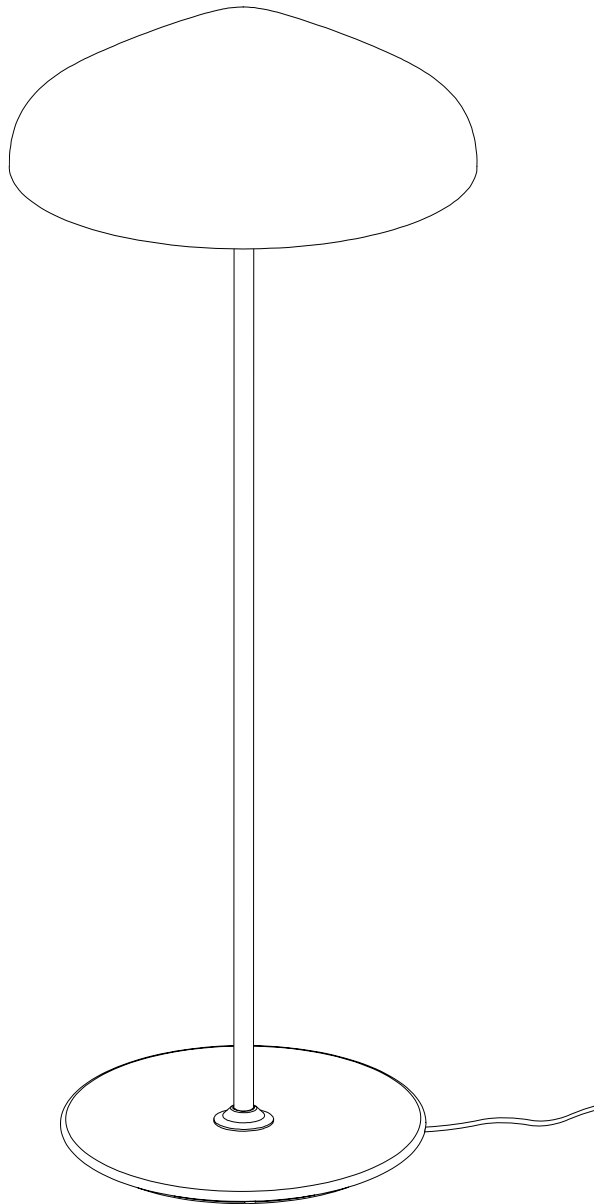
8.

Plug the trailing cable into the power supply.
Attach the correct adapter for your region.



9.

The lamp is now ready for use.



- CARE & MAINTENANCE -

Our Care & Maintenance offers guidance for optimal maintenance of your HAY product. It includes advice and instructions on cleaning and caring for specific materials to prolong the life of your lighting.



Please find our Care & Maintenance guide by scanning the QR code



You can find more relevant information on Pao Glass Floor Lamp by scanning the QR code

You can also find the same information here hay.dk/downloads

Havnen 1 8700 Horsens Denmark
+45 3164 6000 / hay@hay.com

www.hay.com

11/01/2023

HAY