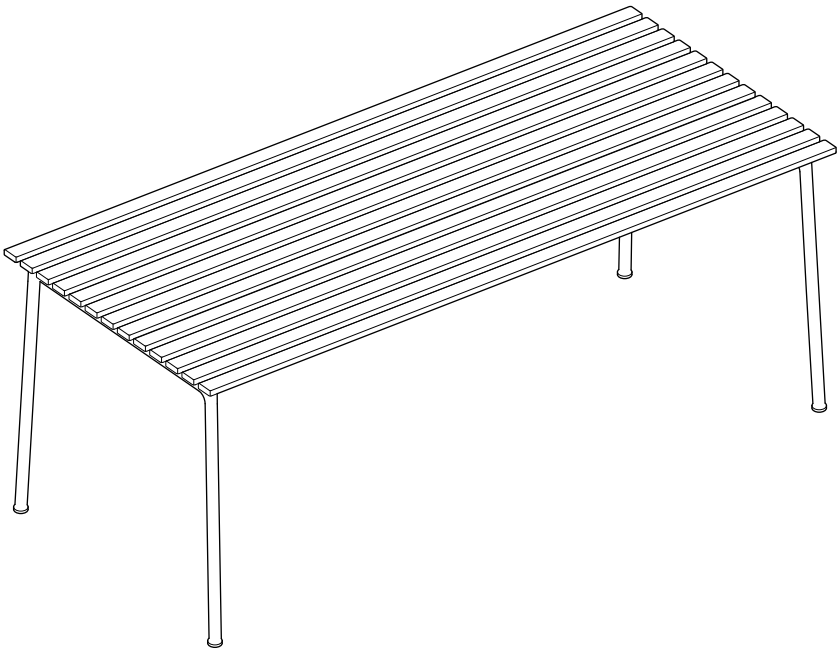


- INSTRUCTION MANUAL -

# TRAVERSE

TABLES



DESIGN BY ERWAN BOUROLLEC

# HAY



## - CARE AND MAINTENANCE -

With a little care you can prolong the life of your furniture. Follow the instructions for the materials of your specific product to make sure that it stays in the best shape for as long as possible. The information below is only intended as a general guideline.

### CAUTION / OUTDOOR WOODEN FURNITURE

- The slats in Traverse Collection are made of ashwood, and have been thermo treated at high temperatures, using only natural heat and steam, without any chemicals. The wood undergoes intense thermal modification, which provides unrivalled durability and stability that runs all the way through to the core. This treatment also results in wood with high water resistance. The heat treatment process changes the wood colour from light to dark brown.
- The diecast aluminium is finished with a single layer of clear lacquer to emphasise the materiality and shot blast finish. It should be cleaned regularly.
- All products in the Traverse Collection are handcrafted, so minor blemishes and imperfections may be visible. These are not considered defects and do not interfere with the quality and function of the product.
- UV radiation will gradually change the surface colour of the wood, which will fade to form a silvery-grey patina. The process starts immediately when the wood is exposed to UV radiation and depending on the intensity of UV radiation it may take from a few months to a few years.
- The colour of thermally modified ashwood is not resistant to natural sunlight. Thermally modified ashwood does not necessarily require surface treatment, but regular maintenance and oiling will refresh the appearance of the Traverse furniture and make it easier to clean.
- Always remove stains quickly before they can do any permanent damage to the furniture.
- Make sure sun screen or other liquids do not come into direct contact with the furniture, as these can leave stains on the surface.
- When you move your furniture, make sure you lift it rather than pulling or pushing it to avoid damaging the floor, legs, and mountings.

- Tighten up the screws after one to two months' use.
- Avoid improper use such as sitting on the back or armrests, tilting the seats on their back legs, putting your feet on the furniture, or standing on it.
- On tables, place coasters underneath damp, hot, or coloured objects to avoid permanent stains.
- Be careful not to scratch or damage the surface with sharp objects.
- Avoid partially covering the surface, for example with tablecloths, cushions, or place mats, as colour variances may appear.
- Direct placement on a seafront can lead to corrosion.
- Check the status of the gliders frequently and if worn down, contact your local retailer to buy replacements. The durability of the gliders will depend on the surface the chair is placed on.

### CLEANING & CARE

#### ASHWOOD

Clean the furniture by scrubbing it with hot soapy water and a soft bristle brush. Never use a pressure washer for cleaning.

Never use acetic acid or citric acid.

We recommend cleaning and maintaining the wood before the start of every summer season.

Lightly sanding faded slats will remove the silvery-grey colour and restore the wood's original appearance. If you would like to preserve or change the tone of faded wood, apply UV-resistant oil to the slats to refresh the look. After cleaning, place in a ventilated area to dry, preventing the residual moisture from affecting the lifetime and getting mouldy.

Wipe with a clean cloth wrung in water or in a solution of water and a neutral detergent. Remove soap residue immediately using a clean, dry cloth. Avoid using scouring cream or scouring pads, as they may scratch the surface. In the event of lime deposits on the surface, use a clean, damp cloth wrung in lukewarm water with one part vinegar to nine parts water and avoid scrubbing as this may scratch the surface.

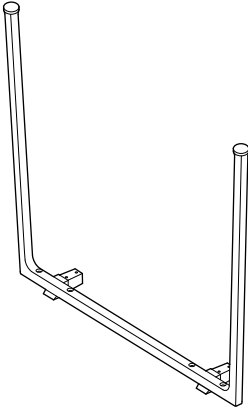
#### ENDCAPS

The endcaps are made of 100% recycled PA6. The durability of the endcap will depend on the surface that it is placed on. We recommend that you frequently check the status of the endcaps and if worn down, contact your local retailer to buy replacements.

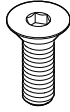
#### STORAGE / WOOD

The lifespan of your furniture will vary depending on the weather and type of use. We recommend that you store it in a cool, ventilated place during winter, protected from scratches and bumps to ensure that no mould or rot can form. Make sure the furniture is completely dry before putting it away for winter storage. If you are unable to provide indoors storage for your furniture in a shed, garage, or suchlike, the furniture must be placed under a cover so that snow or rain does not come into contact with the wood. If a rug is used as a cover, it should not be in contact with the wood, to allow air to flow through to avoid any discolouration, mould, or rot from forming.

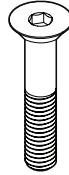
- PARTS -



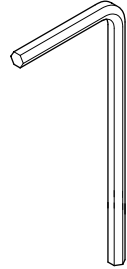
**A** Legs x2



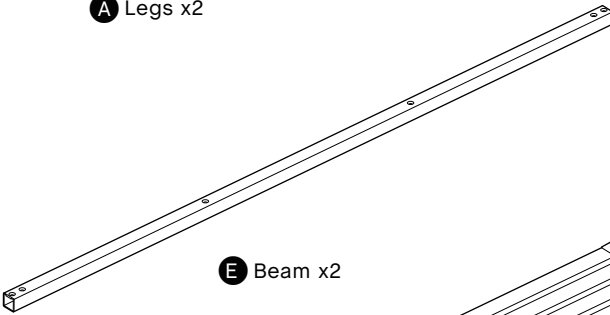
**B** Screws x8



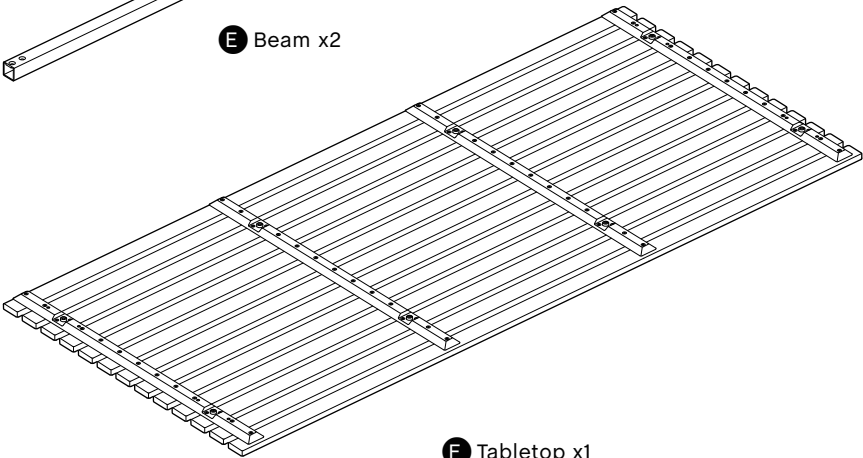
**C** Screws x12



**D** Allen key x1



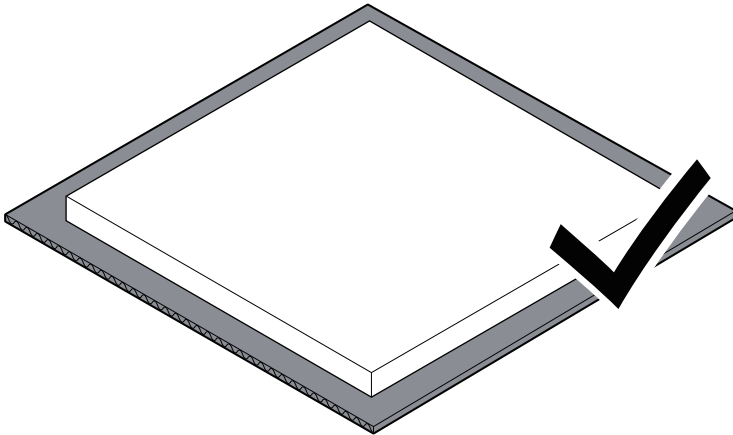
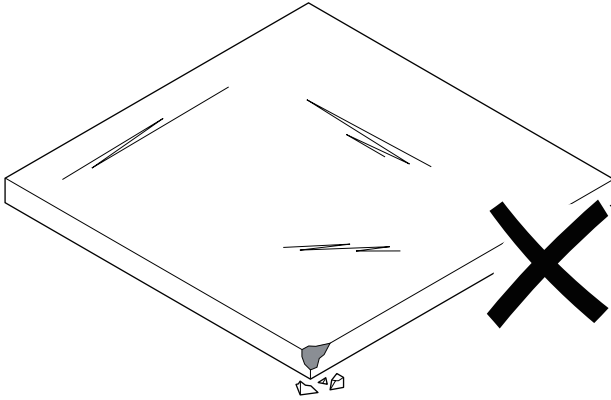
**E** Beam x2



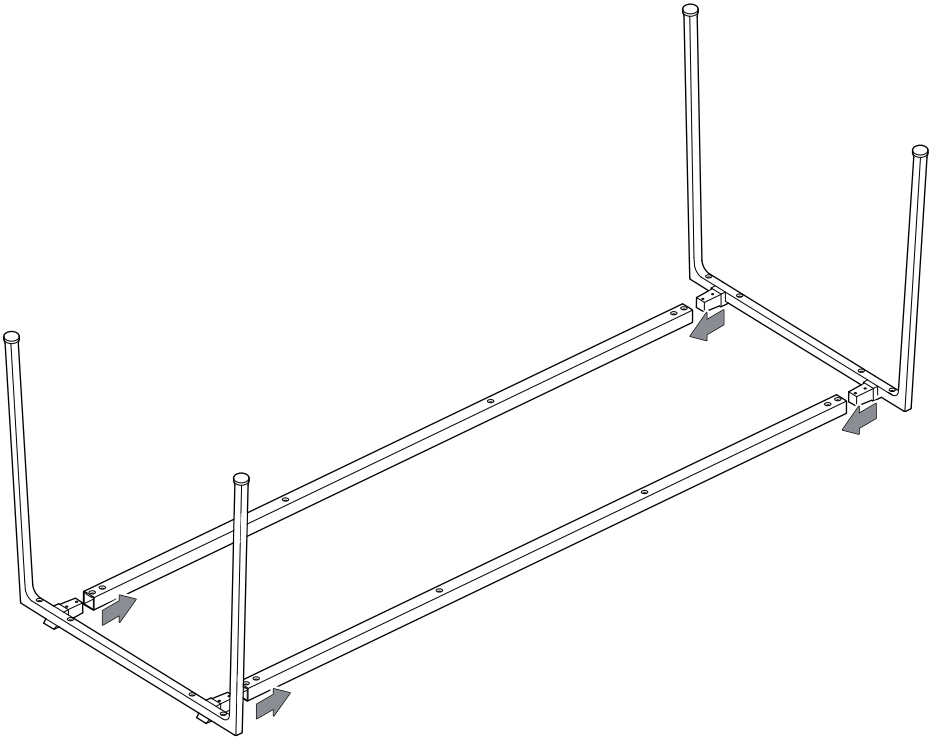
**F** Tabletop x1

- WARNING -

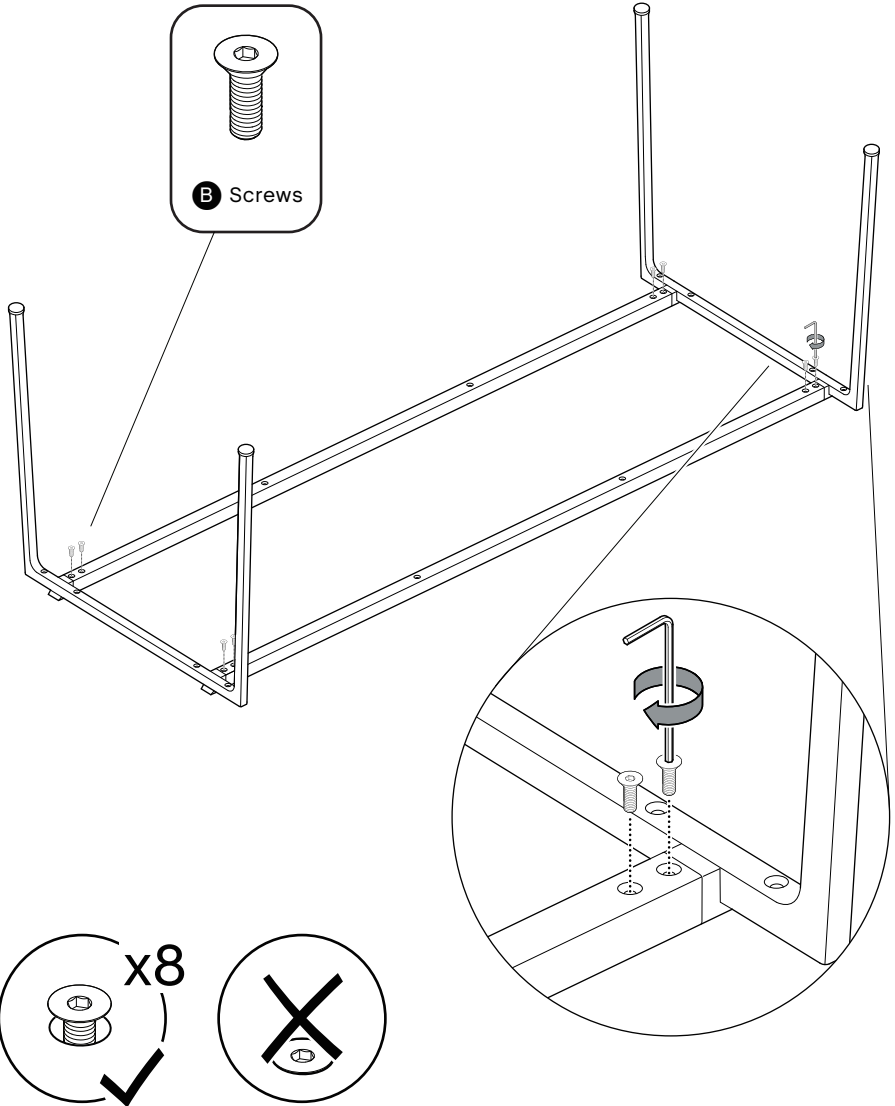
Protect the product from scratches and other damage while assembling by using the packaging material as an underlay.



1.

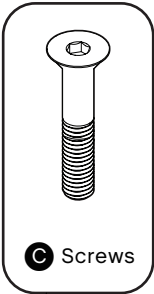
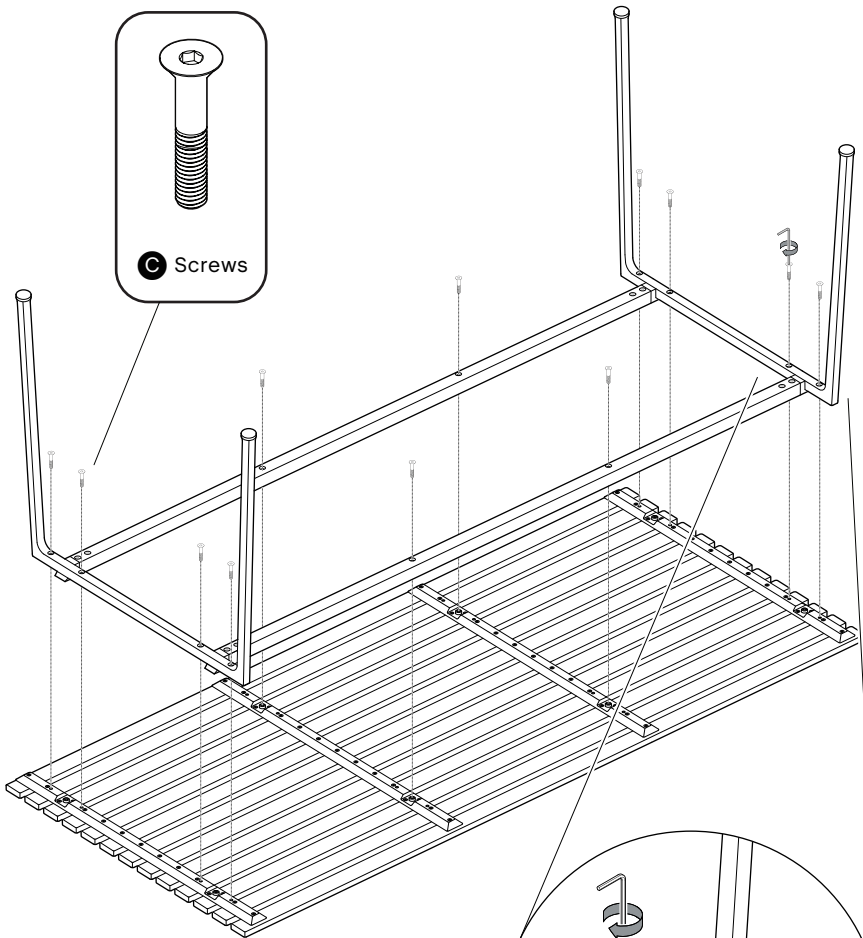


2.

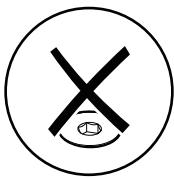
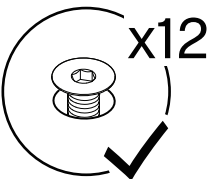
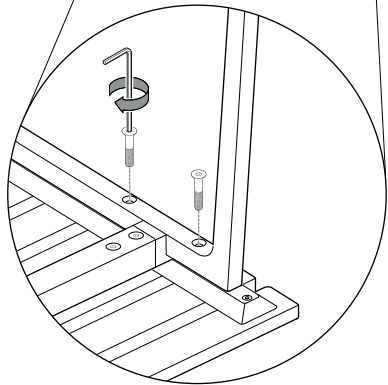




3.

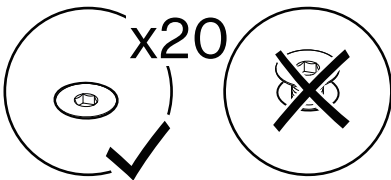
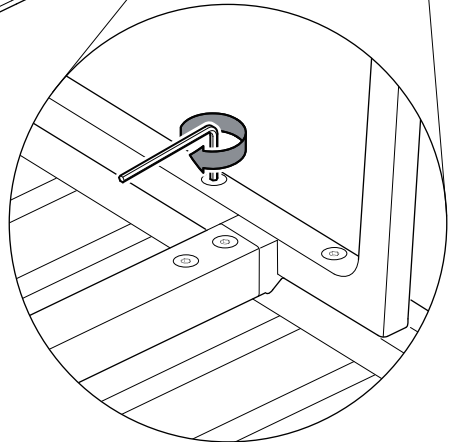
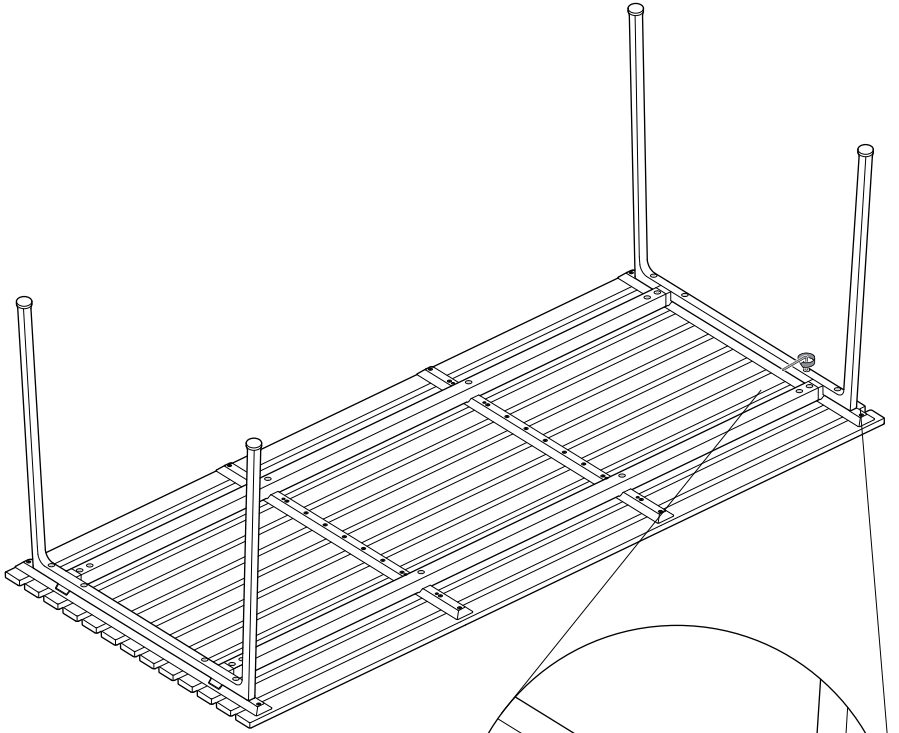


C Screws



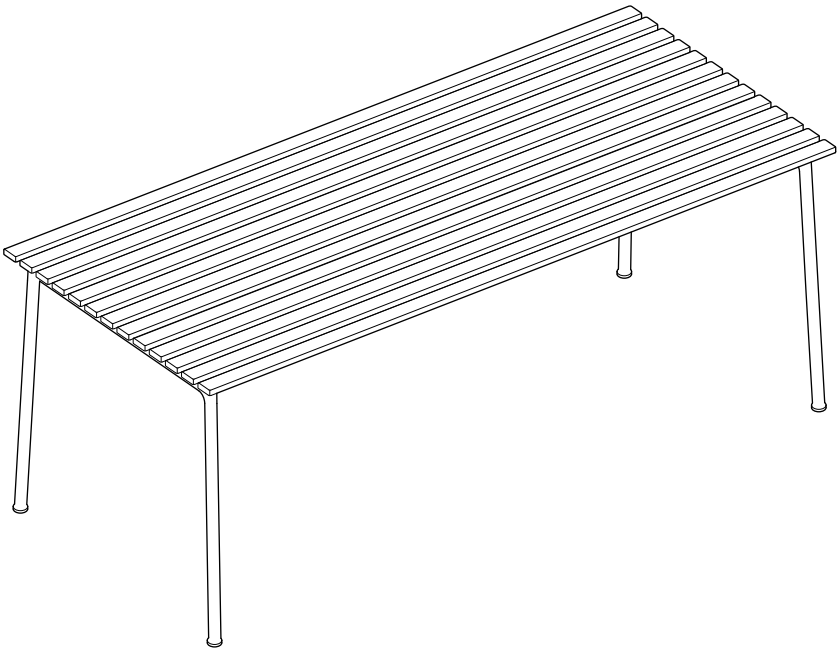
Do not fully tighten the screws.

4.



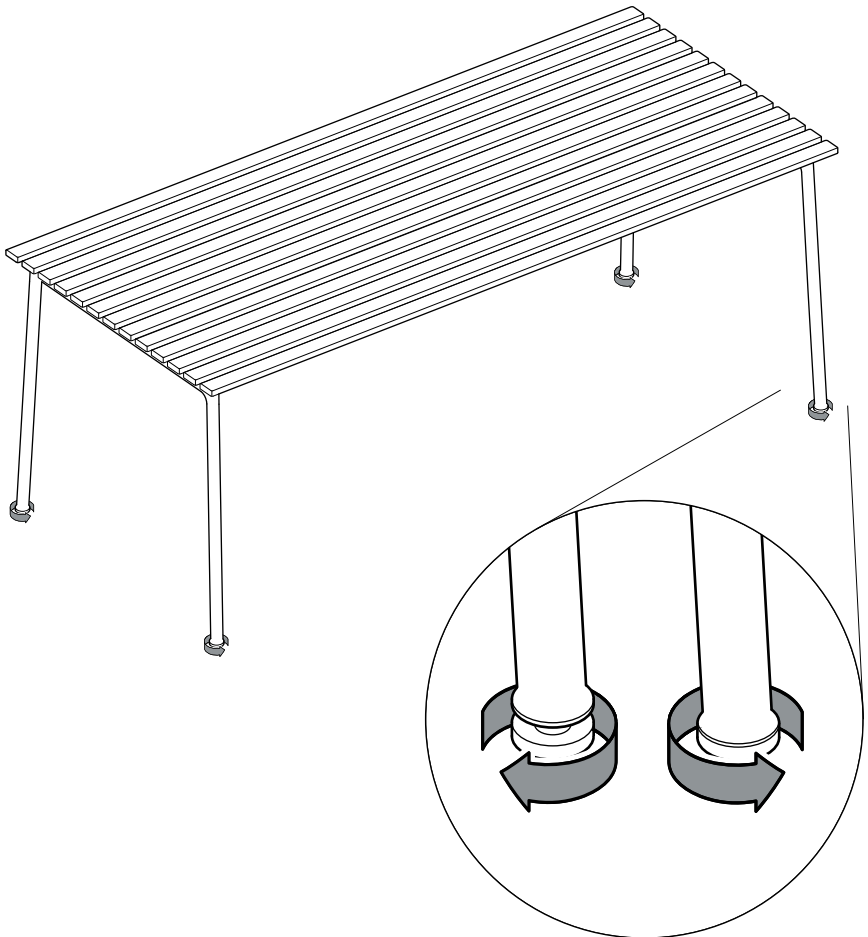
5.

Done!



6.

If the floor is uneven, adjust the feet to make the table stable.



- CARE AND MAINTENANCE -

Our Care & Maintenance offers guidance for optimal maintenance of your HAY product. It includes advice and instructions on cleaning and caring for specific materials to prolong the life of your furniture.



Please find our Care & Maintenance guide by scanning the QR code



You can find more relevant information on Traverse Collection by scanning the QR code

You can also find the same information here  
[hay.dk/downloads](https://hay.dk/downloads)





Havnen 3 8700 Horsens Denmark  
+45 3164 6000 / hay@hay.com

23/10/2024

**HAY**

