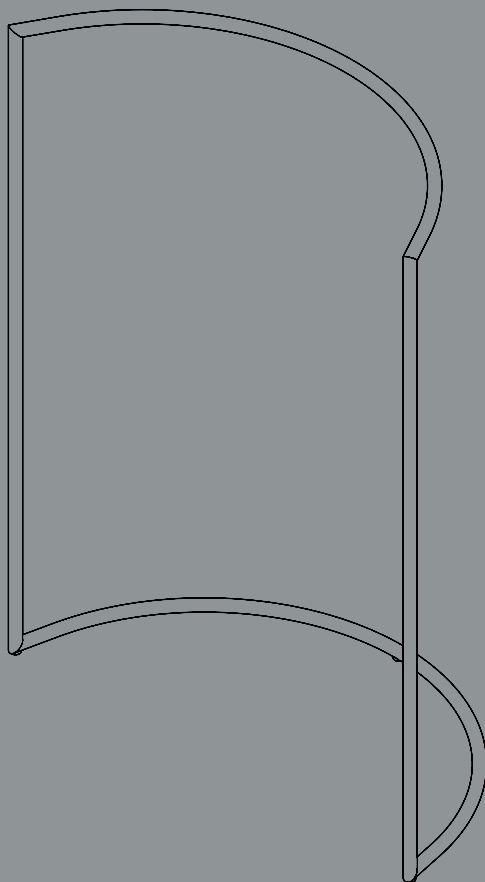


- INSTRUCTION MANUAL -

COLOUR RACK

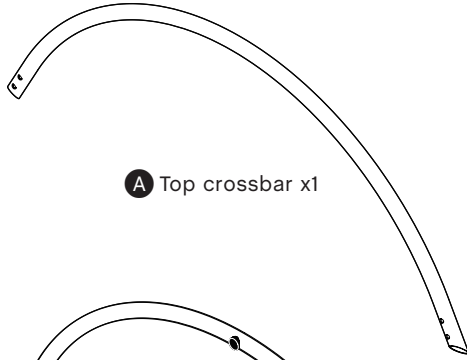
C-SHAPE



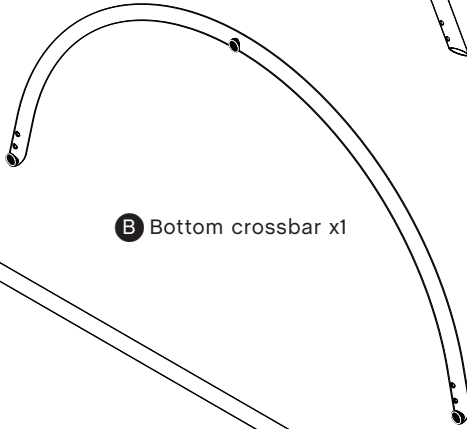
DESIGN BY MULLER VAN SEVEREN

HAY

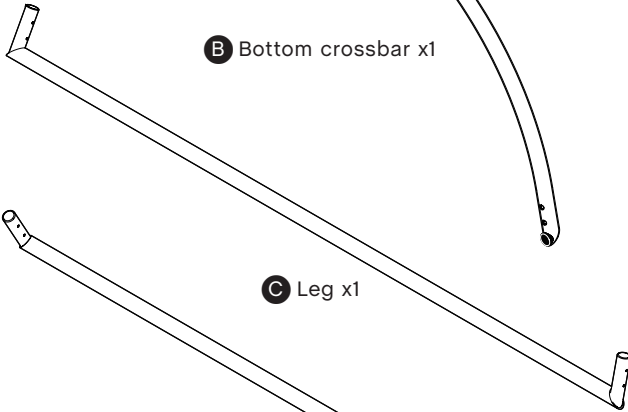
- PARTS -



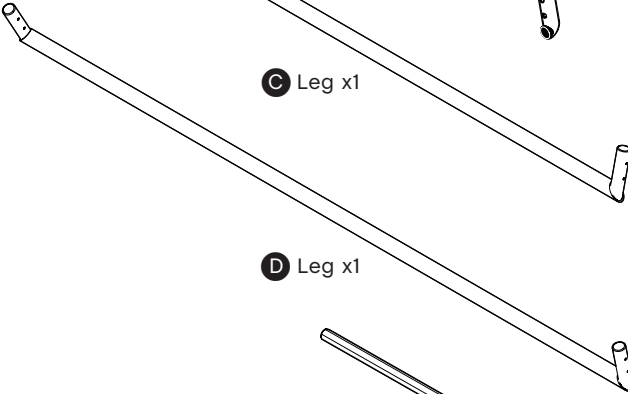
A Top crossbar x1



B Bottom crossbar x1



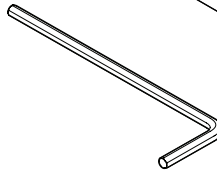
C Leg x1



D Leg x1

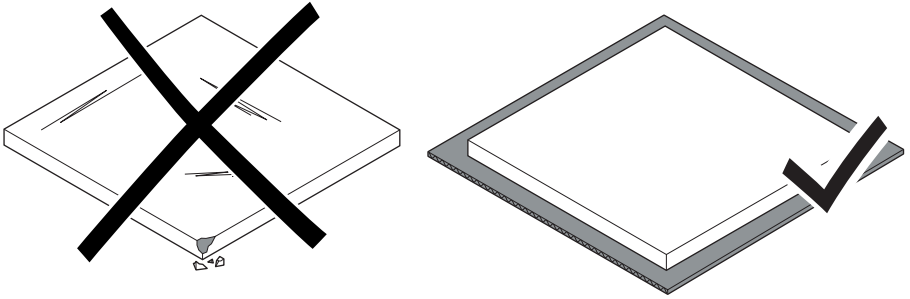


E Screws x8



F Allen key

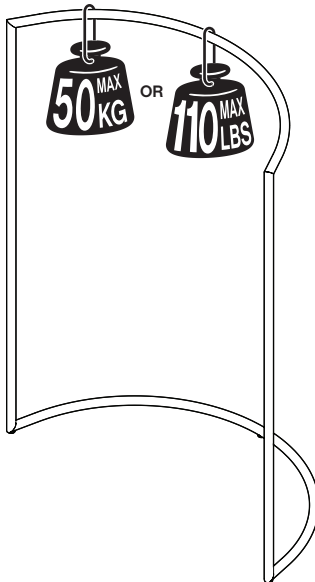
Protect the product from scratches and other damage while assembling.



Two people are required to carry out the assembly.



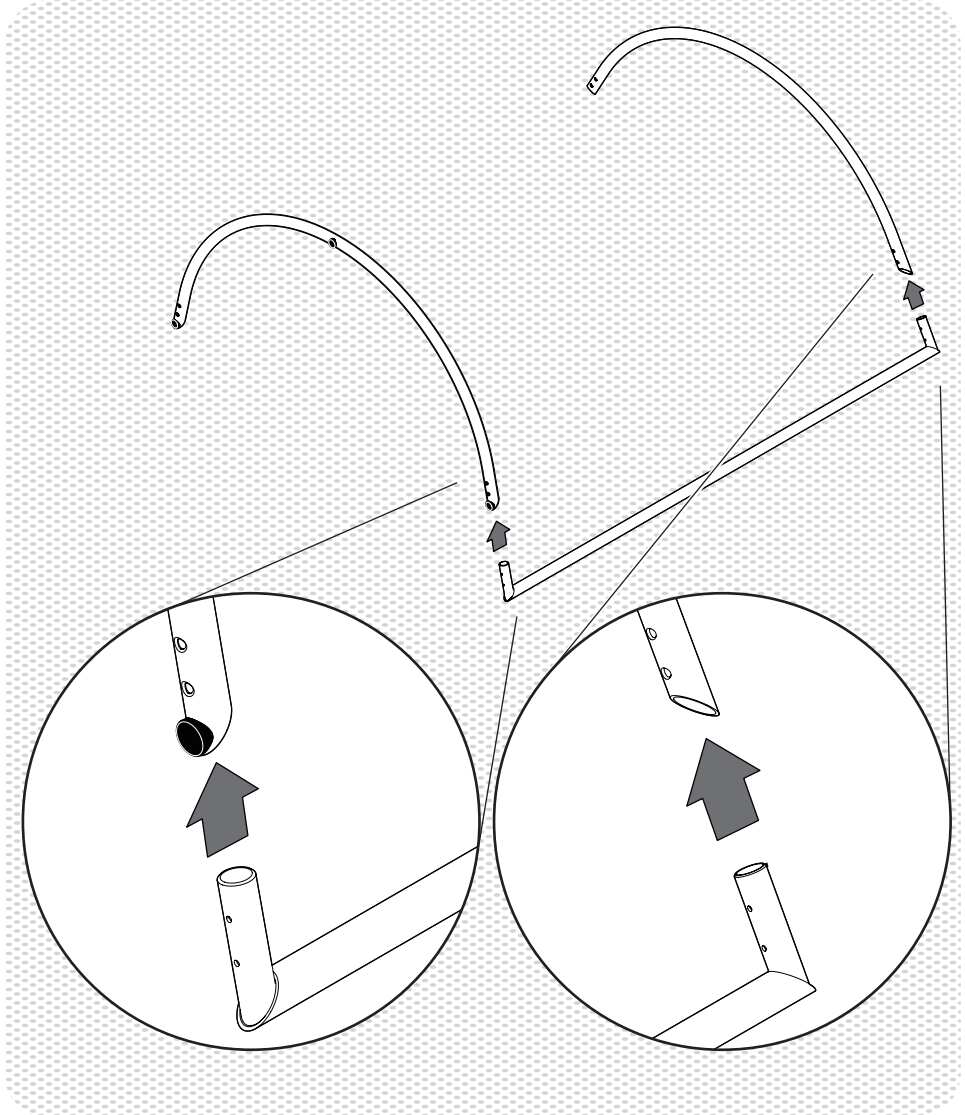
The weight should be evenly distributed and be a total of maximum 50kg/110 lbs.



1.

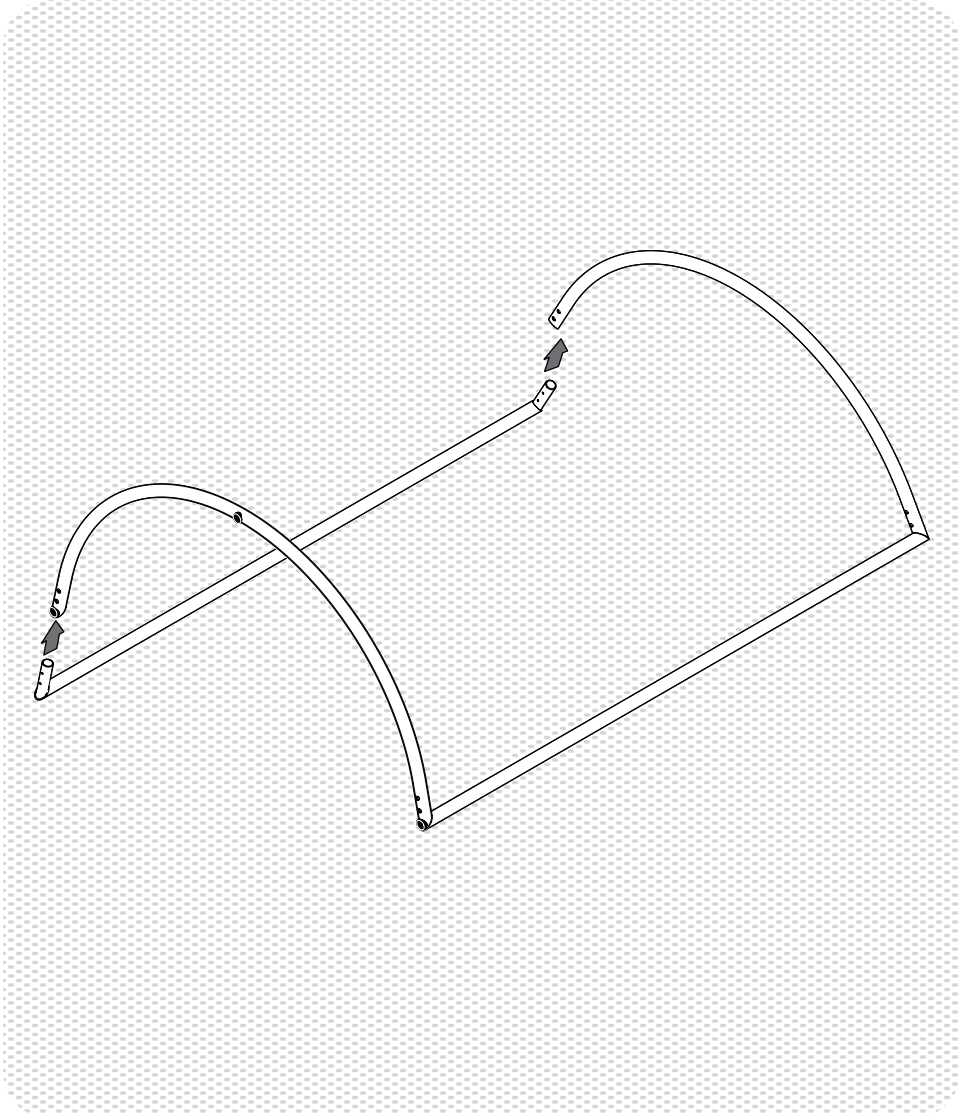
Insert the leg **C** into the right-side ends of top **A** and bottom **B** crossbars, as depicted in below illustration.

Pay attention to the hole placement on the legs, to help identify top/bottom.



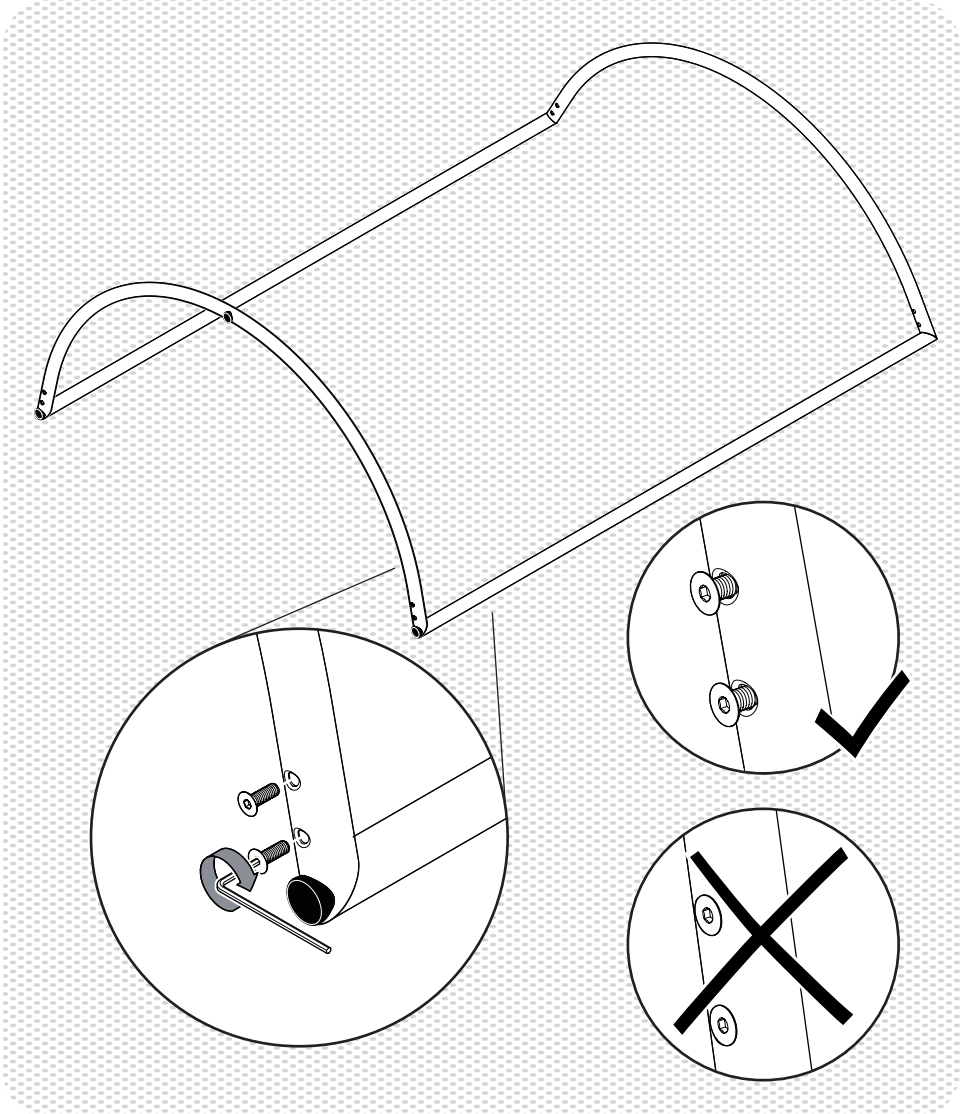
2.

Insert the next leg **D**.



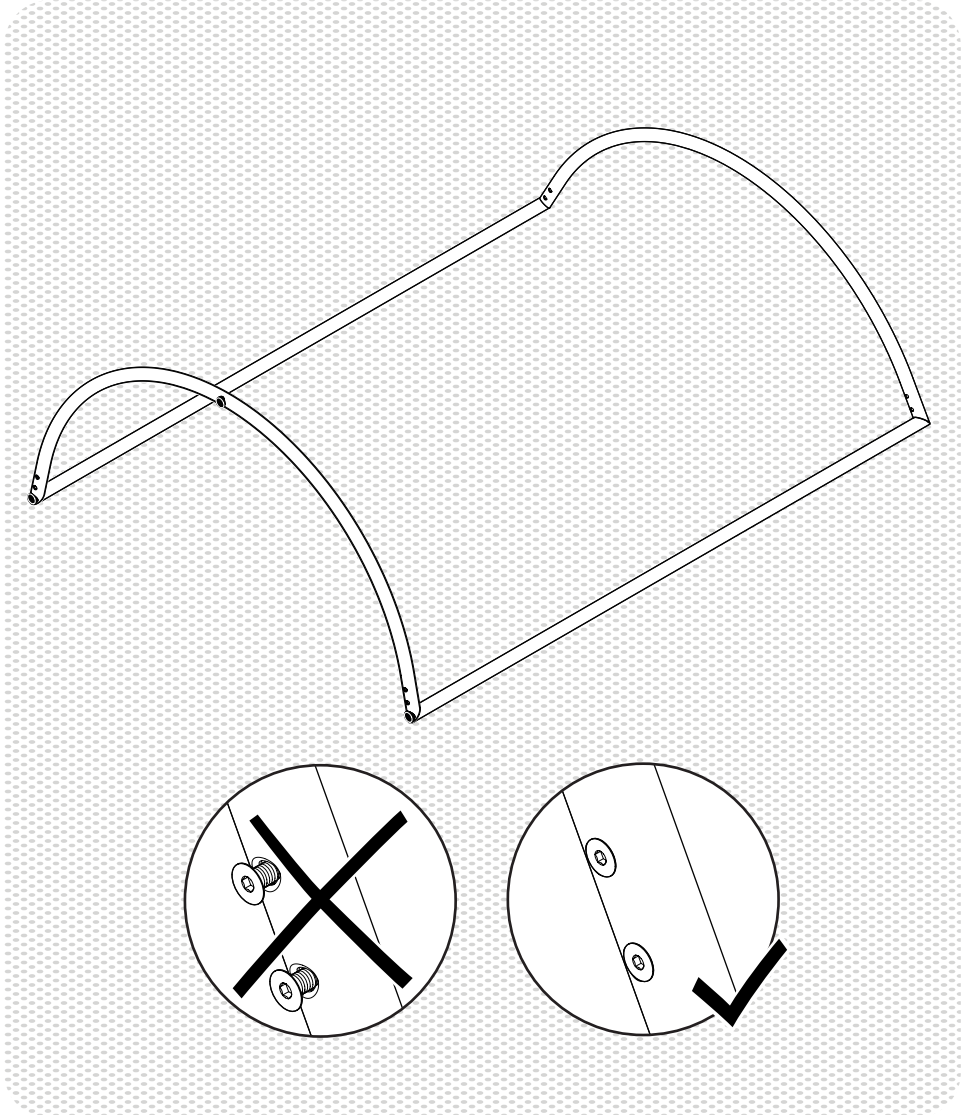
3.

Secure the top and bottom crossbars with screws **E** using the allen key **F**.
Do not fully tighten the screws.



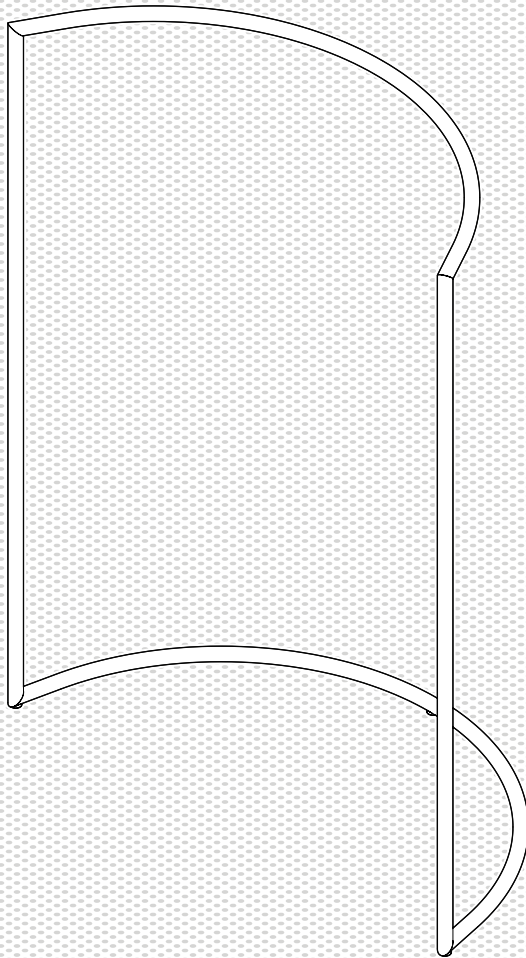
4.

Once all the screws are inserted, go ahead and fully tighten them.



5.

Done!



- CARE & MAINTENANCE -

Our Care & Maintenance offers guidance for optimal maintenance of your HAY product. It includes advice and instructions on cleaning and caring for specific materials to prolong the life of your furniture.



Please find our Care & Maintenance guide by scanning the QR code



You can find more relevant information on Colour Clothes Rack by scanning the QR code

You can also find the same information here
hay.dk/downloads

Havnen 3 8700 Horsens Denmark
+45 3164 6000 / hay@hay.com

22/11/2023

HAY

