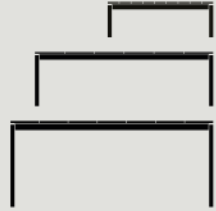


Instructions

Ville AV25-AV28 & AV50 Anderssen & Voll



Please read these instructions carefully and retain them for future reference to ensure the product is used correctly. For your own safety, please read through each step of this instruction manual first. &Tradition is not responsible for any faults or damage caused by not following these instructions correctly. Do not modify this product in any way. If you have any questions or comments, please do not hesitate to contact us by email at: info@andtradition.com

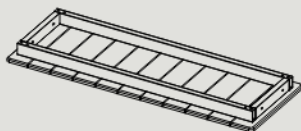
&Tradition®

Ville

AV25-AV28 & AV50

Anderssen & Voll

A



B



C



D



E



F



Safety precautions

- Dispose of plastic bag from packaging and keep out of reach of children.
- Handle with care in order not to scratch surfaces.
- Two or more adults are required when lifting the bench.
- The benches and tables are intended for interior or exterior use.

Contents

- A Top x 1
- B Legs x 2
- C Short Screws x 8
- D Long Screws x 4
- E Washer x 12
- F Allen Key x 1

Cleaning instructions

Powder coated metal

It is recommended to only use a soft dry cloth to clean powder coated surfaces but in case more severe cleaning is necessary, a soft cloth wrung in lukewarm water can be carefully used. Always dry immediately with a soft dry cloth after cleaning. Avoid using abrasive cleaning agents as this may permanently damage the surface.

Untreated teak

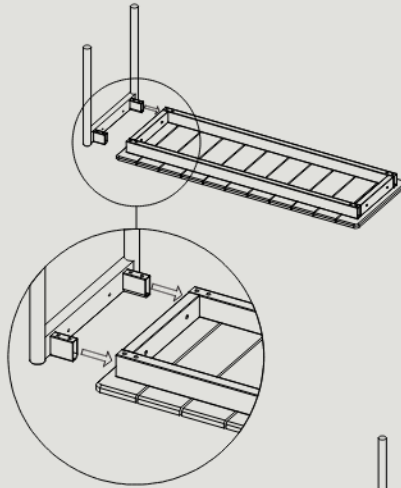
Teak is a natural material which means variations in color and texture may occur. As the wood is untreated, the surface will patinate over time and eventually turn a beautiful silver-gray. To preserve or enhance the original color, use a suitable furniture oil regularly. The wood is naturally resistant to everyday weather due to its high content of natural oil. Over time, weathering may cause veins in the wood to rise and minor cracks may appear, but this should not affect the overall design or compromise durability. We recommend storing furniture in an unheated shelter during winter. Please note that water may cause discoloration of untreated teak, so we recommend covering furniture when not in use.

For more information on care and cleaning please visit andtradition.com

Please follow steps 1-3 to assemble the product.

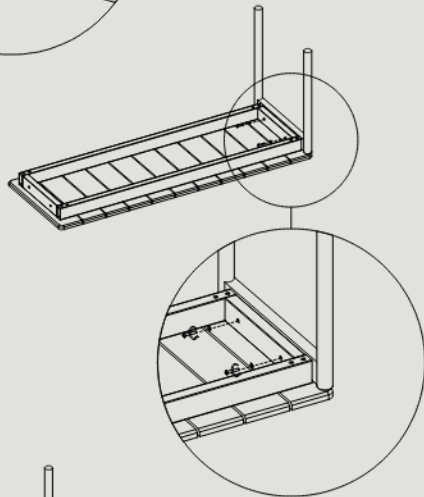
Step 1 / 3

Place the Top (A) on a soft flat surface and attach the Leg (B) to the Top in the corresponding holes.



Step 2 / 3

Install the Long Screw (D) together with the Washer (E) in the corresponding holes and tighten with the Allen Key (F).



Step 3 / 3

Install the Short Screw (C) together with the Washer (E) in the corresponding holes and tighten with the Allen Key (F).

