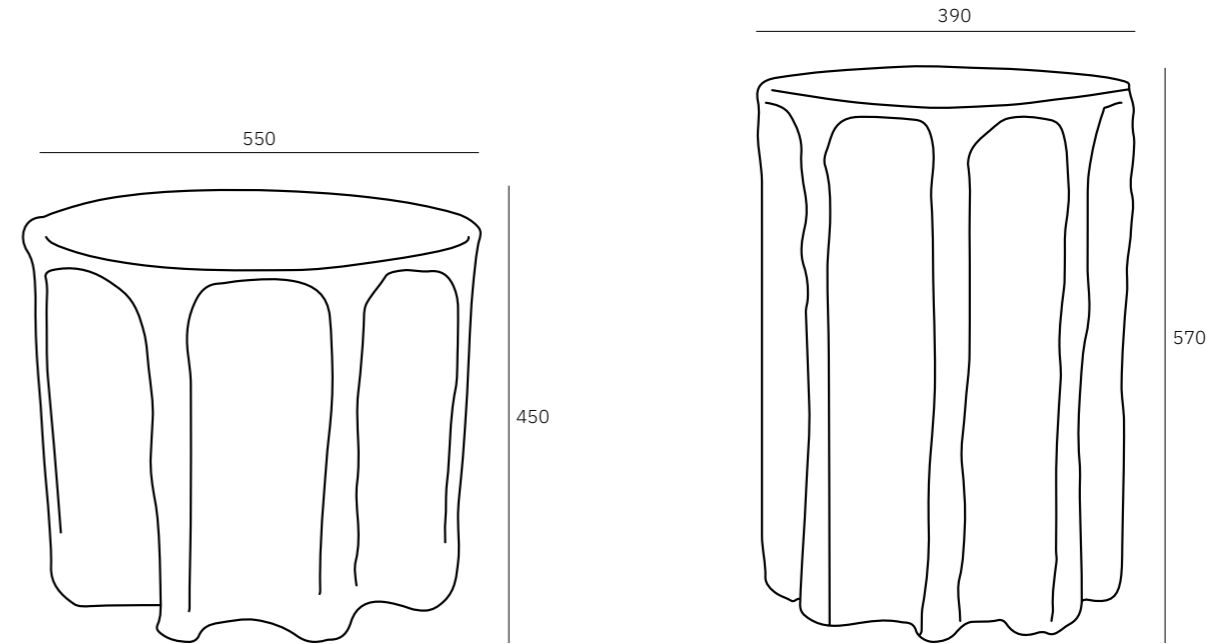


GLAZED. FLUTED. PLAYFUL.

Chouchou bears the contours of an antique column – which, knowing designer Lorenzo Zanovello’s, is most likely a reference to his Italian origins. Thinking like a sculptor, he takes raw material as a starting point for his ideas. chouchou’s generous and always unique colour glaze is – similar to the unpolished surface structure – a testimony to pure craft beyond any serial uniformity. Available as a high side table or coffee table (from ceramics, round or oval).



PRODUCT CHARACTERISTICS

The chouchou is a masterwork of traditional craftsmanship. Each table is handmade and has characteristic features such as irregularities in ceramic thickness, colour variations or bumps in the ceramic.

CHOUCHOU ROUND
TABLE

Ø 550 x 450 H

CHOUCHOU HIGH
TABLE

Ø 390 x 570 H

COLOURS & ART.NR

colour	green	rose	sand	black
round	1703GR	1703RO	1703SA	1703B
high	1704GR	1704RO	1704SA	1704B
colour	tobacco	white	marble white	
round	1703TO	1703W	1703MW	
high	1704TO	1704W	1704MW	

YEAR OF DESIGN
2022

MATERIAL
ceramic

DIMENSIONS (mm)
round Ø550x450 H
high Ø390x570 H

ASSEMBLY REQUIRED
No.

CARE INSTRUCTIONS

Regular cleaning and maintenance is important in order to keep your pulpo product looking its best and to prolong its life. Always remove any kind of dirt as soon as possible. We recommend that you first test a small, invisible area to ensure that no colour change or damage arises to the product. Do not use materials for maintenance that contain abrasive agents or are basic, acid or organic.

CERAMIC CLEANING

For dusting and light cleaning of ceramic, use a soft and dry cloth. For further cleaning, gently wipe the surface with a soft cloth wrung in clean warm water. Dry immediately afterwards with a soft, dry and clean cloth. For the best maintenance of the product, care for it regularly, and try to keep it away from moisture, grease and other dirt. Furthermore, protect the surfaces against sharp objects and others that might scratch.