

HAZEL BRANCH

Designed by Jacob Rudbeck



Pendant lamp



DIMENSIONS

H x W x D: 6 x 100.2 x 5.4 cm / 2.4 x 39.4 x 2.1"



MARKINGS, TESTS & CERTIFICATIONS

CE (for indoor use)



MATERIAL

Steel, aluminium and plastic
Incl. 3 m / 9'8" textile cord and metal canopies



WARRANTY

10 years warranty against manufacturer defects



WEIGHT

1.8 kg / 4.0 lb



WEIGHT INCL. PACKAGING

3.2 kg / 7.1 lb



LIGHT SOURCE

24W LED panel built-in

Kelvin step 1: 2700K

Kelvin step 2: 3000K

Kelvin step 3: 4000K

Kelvin step 4: 6000K

Lumen step 1: 1150 lumen

Lumen step 2: 900 lumen

Lumen step 3: 550 lumen

Lumen step 4: 300 lumen

CRI: 93. ≥ 25000 H



PACKAGING DIMENSIONS (L x W x H)

10.5 x 131.2 x 11.4 cm / 4.1 x 51.7 x 4.5"



ASSEMBLY TIME

10 min



MEDIA KIT

Photos and press material

Download at umage.presscloud.com



ORDERING INFORMATION

Hazel Branch black brushed steel

#2451

Hazel Branch black brushed brass

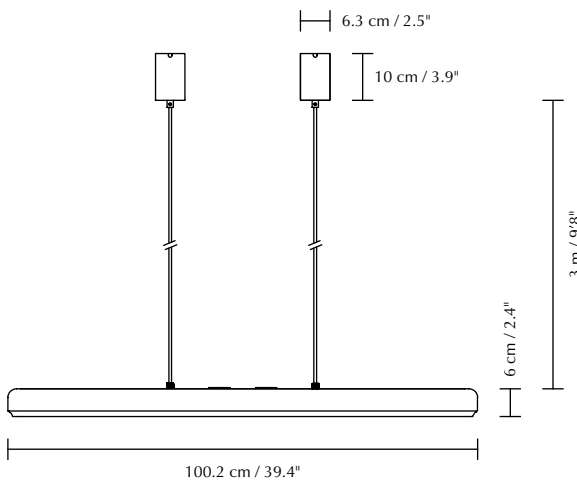
#2448

Hazel Branch white brushed steel

#2452

Hazel Branch white brushed brass

#2454



Colour variations



black
brushed steel



black
brushed brass



white
brushed steel



white
brushed brass



HAZEL BRANCH

Designed by Jacob Rudbeck

